

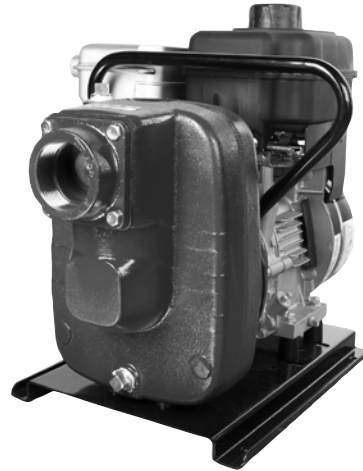
CENTRIFUGAL PUMPS

GAS ENGINE FNSGF



FEATURES

- Volute: Rugged cast iron rugged construction with tapped openings for priming, venting and draining
- Impeller: Enclosed; cast iron for higher pressure applications
- Mechanical Seal: Standard carbon/ceramic faces, FKM elastomers, and 300 series stainless components
- Engine: Industry-recognized Honda equipped with adjustable throttle controls
- Mounting: Horizontal



SPECIFICATIONS

- Capacities to 165 gpm
- Heads to 185 feet
- 120 psi maximum working pressure
- 200 °F maximum temperature
- Clockwise rotation when viewed from motor end
- NPT pipe connections

CC	Discharge	Suction
160	2"	2"
270	2"	2.5"

APPLICATIONS

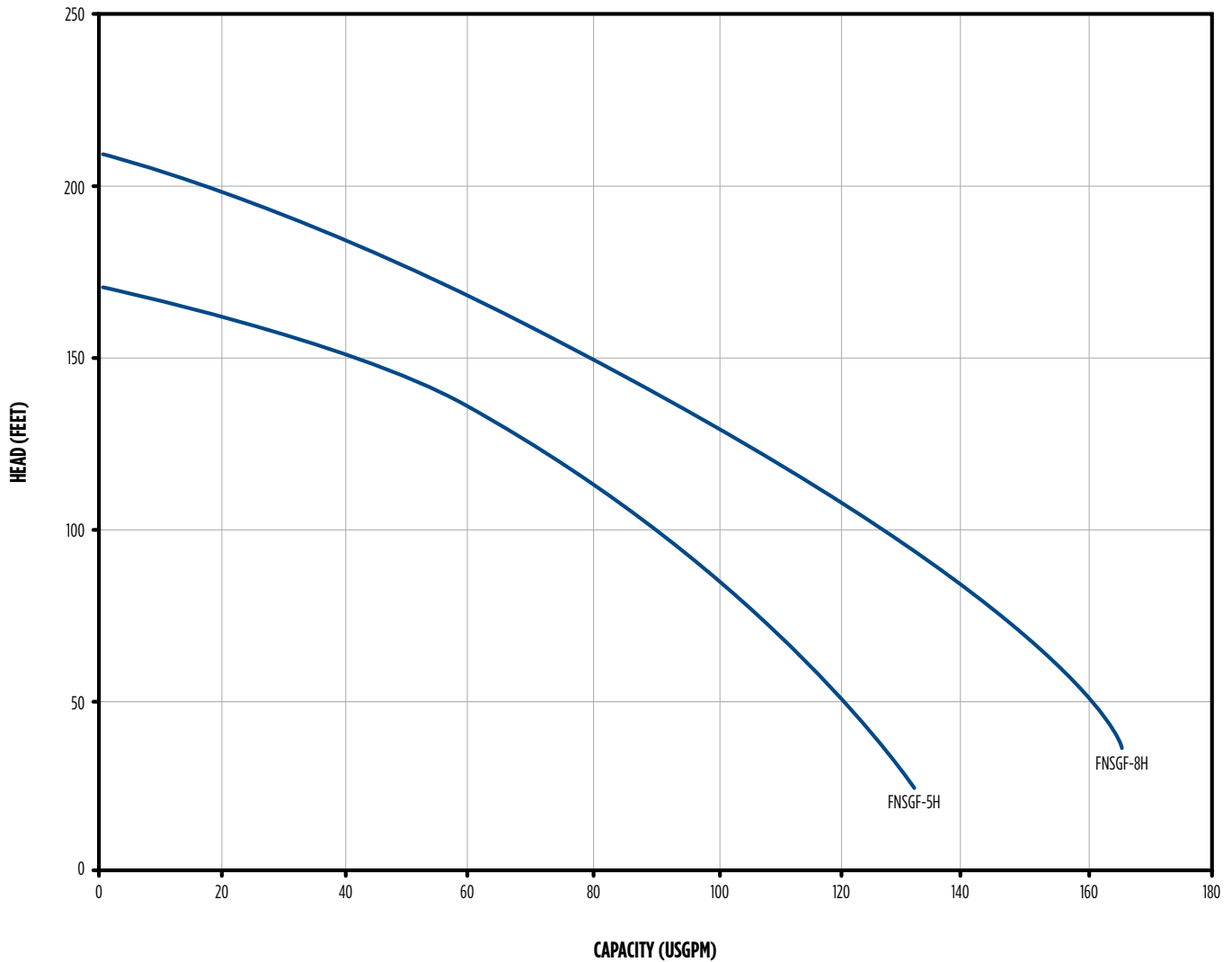
- Irrigation
- Construction
- Mining
- Commercial
- Municipal
- Light Industrial

CENTRIFUGAL PUMPS

GAS ENGINE FNSGF



PERFORMANCE



Model	Discharge Pressure in PSI @ 5' Lift							
	10	20	30	40	50	60	70	80
	Capacities in U.S. GPM							
FNSGF-5H	132	115	106	85	70	52	-	-
FNSGF-8H	165	162	145	125	110	85	50	30

CENTRIFUGAL PUMPS

GAS ENGINE FNSGF



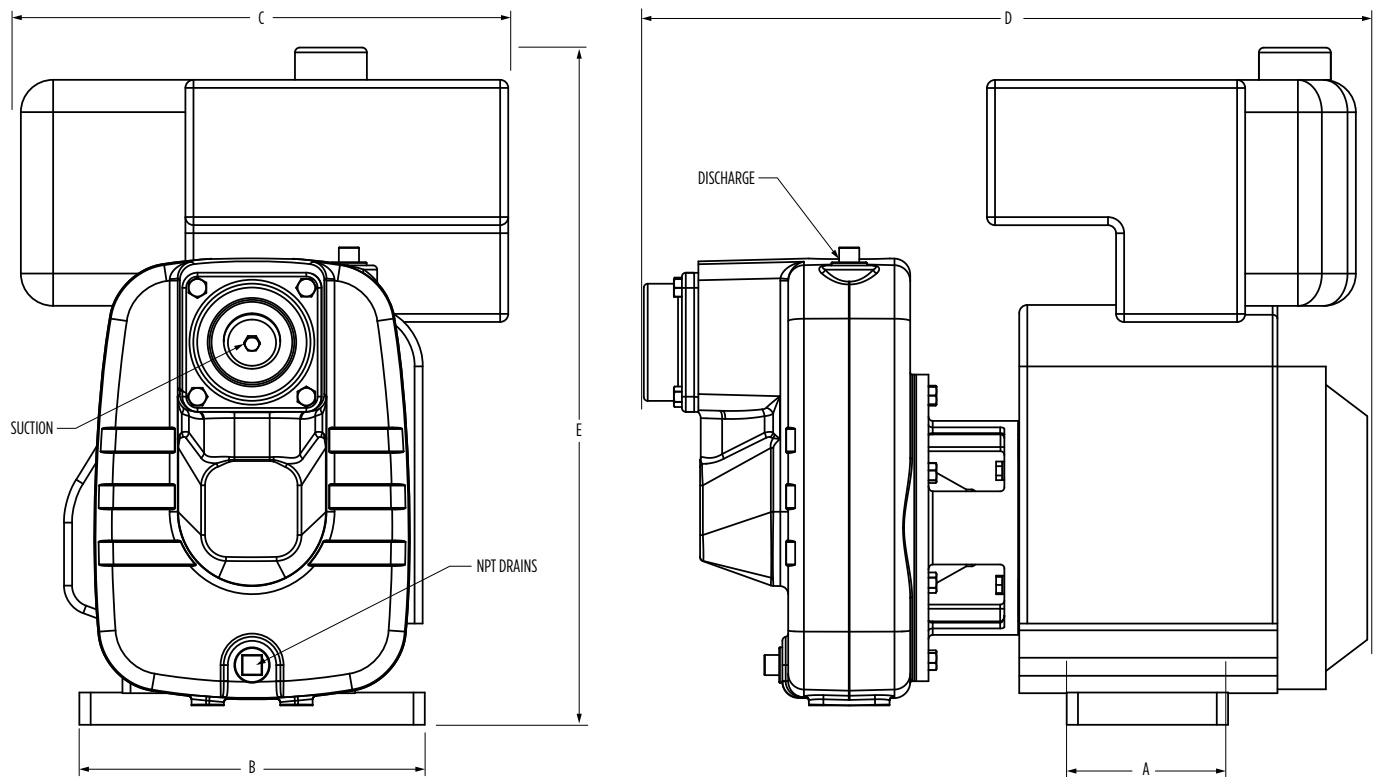
ORDERING INFORMATION

Model	Pump Size (Dis. x Suc.)	CC	Engine Description	Order No.	Low Oil Shut-Off	Wt. (lbs)
FNSGF-5H	2 x 2	160	Honda, with 4 qt. fuel tank	90272105	Yes	94
FNSGF-8H	2 x 2.5	270	Honda, with 4 qt. fuel tank	90272108	Yes	118

DIMENSIONS

Model	Pump Size (Dis. x Suc.)	Dimensions (in)				
		A	B	C	D	E
FNSGF-5H	2 x 2	9.75	13.5	16.20	20.25	14.38
FNSGF-8H	2 x 2.5	13	17	17.31	23.66	17.75

NOTE: Dimensions are for estimating purposes only

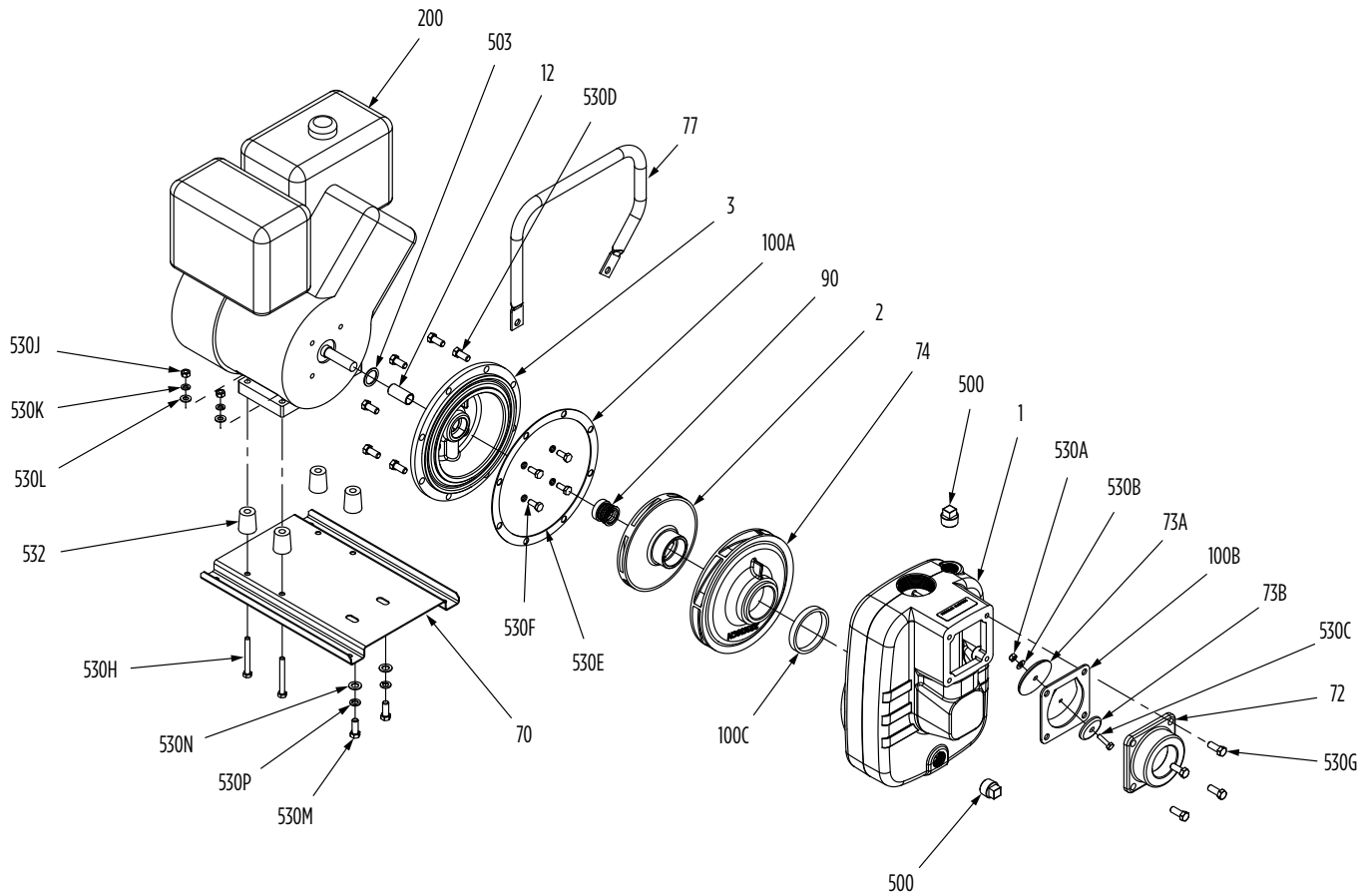


CENTRIFUGAL PUMPS

GAS ENGINE FNSGF



MATERIALS AND PARTS



CENTRIFUGAL PUMPS

GAS ENGINE FNSGF



MATERIALS AND PARTS

Fig. No.	Part Description	Part No.		Materials of Construction
		FNSGF-5H	FNSGF-8H	
1	Pump Case	305460013		Cast iron, ASTM-A48 CL30
2	Impeller	305459004	305460014	Cast iron, ASTM-A48 CL30
3	Motor Adapter	305460015	305460016	Cast iron, ASTM-A48 CL30
12	Mechanical Seal Shaft Sleeve	305458010	305459011	416 Stainless steel
70	Base, Engine Frame	305460017	305459016	CRS
72	Check Valve	305455010	305460018	Cast iron, ASTM-A48 CL30
73A	Top Weight, Check Valve	305455011		Cast iron, ASTM-A48 CL30
73B	Bottom Weight, Check Valve	305455012		Cast iron, ASTM-A48 CL30
74	Diffuser	305460019		Cast iron, ASTM-A48 CL30
77	Handle	305460020	305459018	CRS
90	Mechanical Shaft Seal	305463116	305463043	Carbon/Ceramic x FKM-SS
100A	Case Gasket	305463130		Neoprene
100B	Flapper Valve	305454043		Neoprene
100C	Square Ring, Volute	305463131		Nitrile
200	Engine	See Below		Misc.
500	Pipe Plug, 3/4" (2 req.)	305463050		CAD-plated steel
503	Water Slinger	305458022	305456009	Neoprene
530A	Nut, Flapper	305463082		300 Series stainless steel
530B	Washer, Flapper	305463084		300 Series stainless steel
530C	Bolt, Flapper	305463080		316 Stainless steel
530D	Hex Bolts, Volute (4 pack)	305463064		Zinc-plated steel
530E	Hex Bolt, Motor Adapter (4 pack)	305463120	305463214	Zinc-plated steel
530F	Collar Seal, Motor Adapter (4 pack)	305463107	-	Nylon
Not Shown	Lock Washer, Motor Adapter (4 pack)	-	305463010	Zinc-plated steel
530G	Hex Bolt, Check Valve (12 pack)	305463010		Zinc-plated steel
530H	Hex Bolt, Base (4 pack)	305463132	305463090	Zinc-plated steel
530J	Hex Nut, Base (4 pack)	305463062		Zinc-plated steel
530K	Lock Washer, Base (4 pack)	305463092		Zinc-plated steel
530L	Washer, Base (4 pack)	305463109		Zinc-plated steel
530M	Bolt, Base Volute (4 pack)	305463064		Zinc-plated steel
530N	Washer, Base Volute (4 pack)	305463064		Zinc-plated steel
530P	Lock Washer, Base Volute (6 pack)	305463137		Zinc-plated steel
532	Spacer (4 pack)	305463213	305463215	Cast iron

NOTE: Consult factory regarding parts support on diesel optioned units

Model	Motor Description	Part No.
FNSGF-5H	Eng Honda GX160UTTX2 5.5 hp OHV	202001
FNSGF-8H	Eng Honda GX270UTPA2 9 hp OHV	202002

NOTES

GAS ENGINE FNSGF



NOTES

GAS ENGINE FNSGF



