

CENTRIFUGAL PUMPS

FNG-23V END SUCTION GAS ENGINE



FEATURES: PUMP

- Volute: Cast iron rugged construction with tapped openings for venting and draining
- Impeller: Enclosed cast iron for higher pressure applications
- Mechanical Seal: Standard carbon/ceramic faces, FKM elastomers, 300 series stainless components
- Engine: Industry-recognized Briggs & Stratton
- Mounting: Horizontal position
- Replaceable bronze wear ring

FEATURES: ENGINE

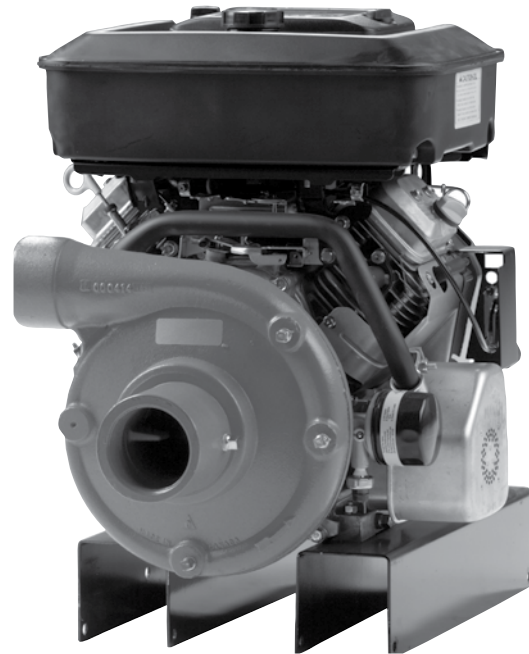
- 627cc Briggs & Stratton Vanguard V-Twin Engine
- Cast iron cylinder sleeves for extended life
- Electric start (battery and cables not included)
- Oil pressure switch installed for low oil warning light (warning light not included)

SPECIFICATIONS

- Capacities to 400 gpm
- Heads to 275 feet
- 125 psi maximum pressure
- 212 °F maximum temperature
- Clockwise rotation when viewed from motor end
- NPT pipe connections

Discharge	Suction	Order No.	Ship Wt. [lb]
2-1/2"	3"	90261223*	206

*Fuel tank and battery not included



APPLICATIONS

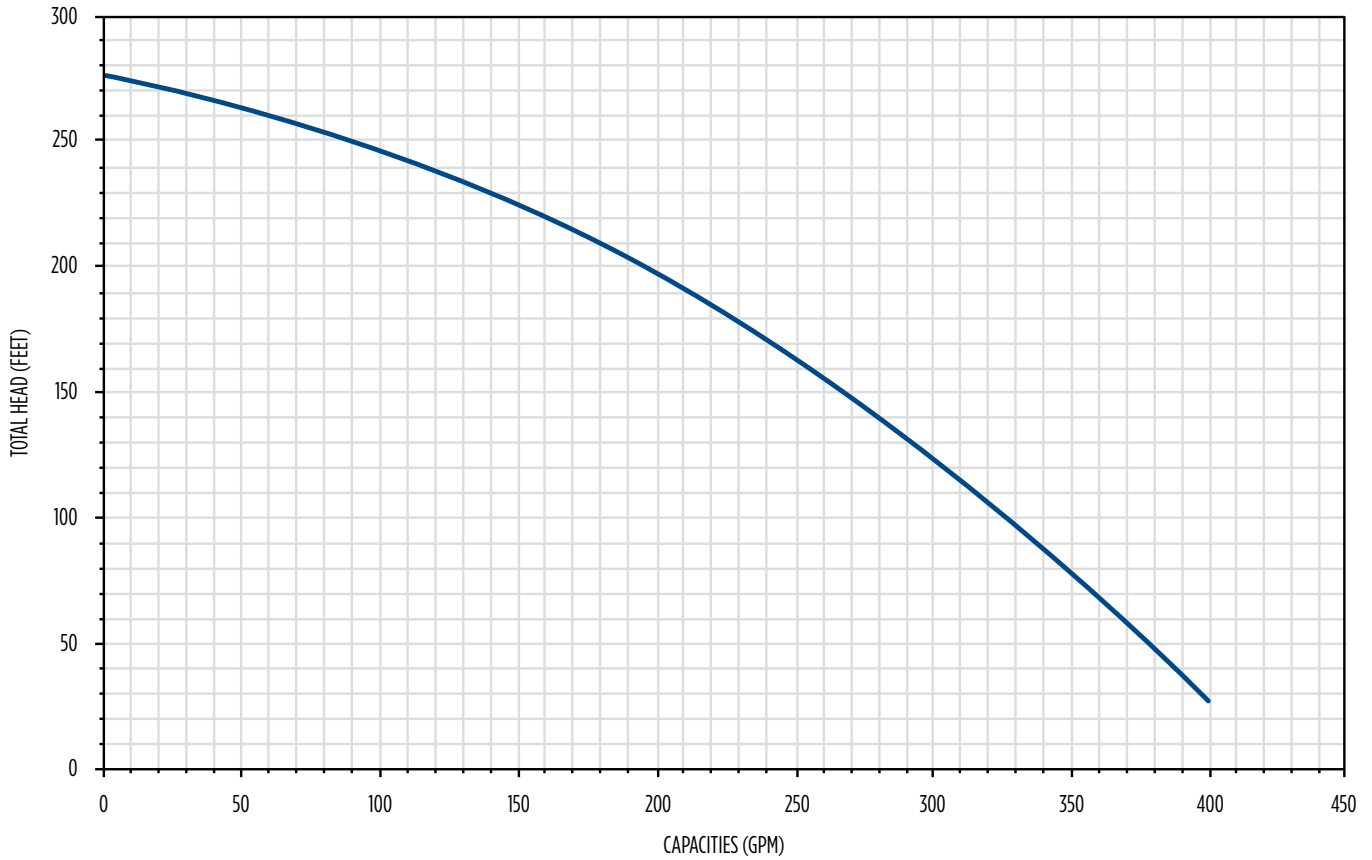
- Water Truck
- Irrigation
- Commercial
- Construction
- Municipal
- General Services

CENTRIFUGAL PUMPS

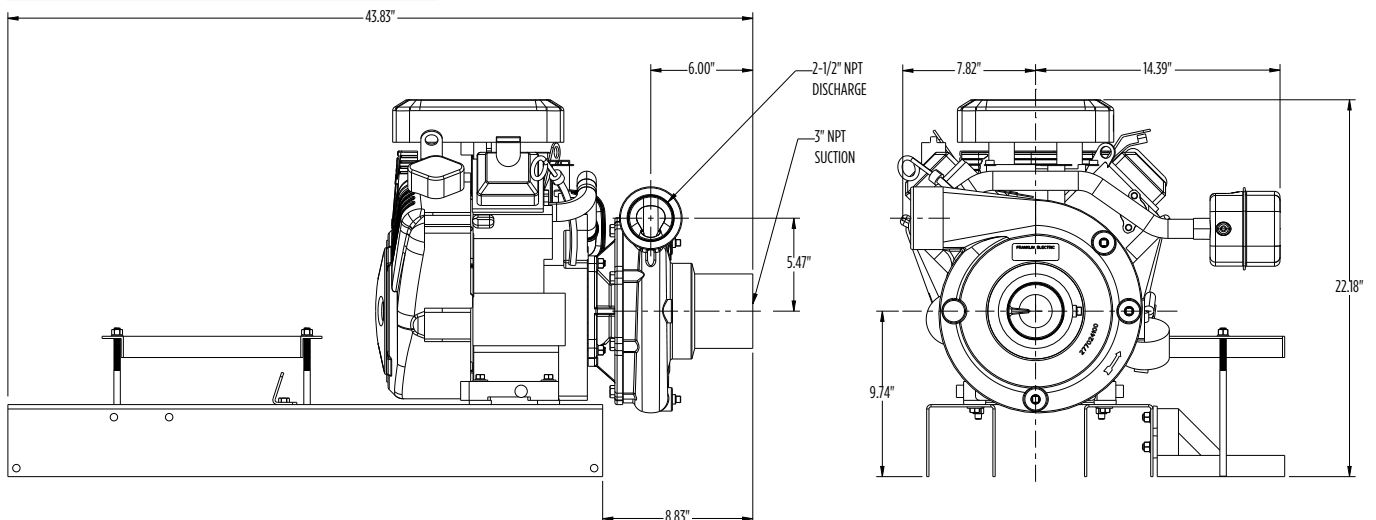
FNG-23V END SUCTION GAS ENGINE



PERFORMANCE



DIMENSIONS



CENTRIFUGAL PUMPS

FNG-23V END SUCTION GAS ENGINE



EXPLODED PARTS

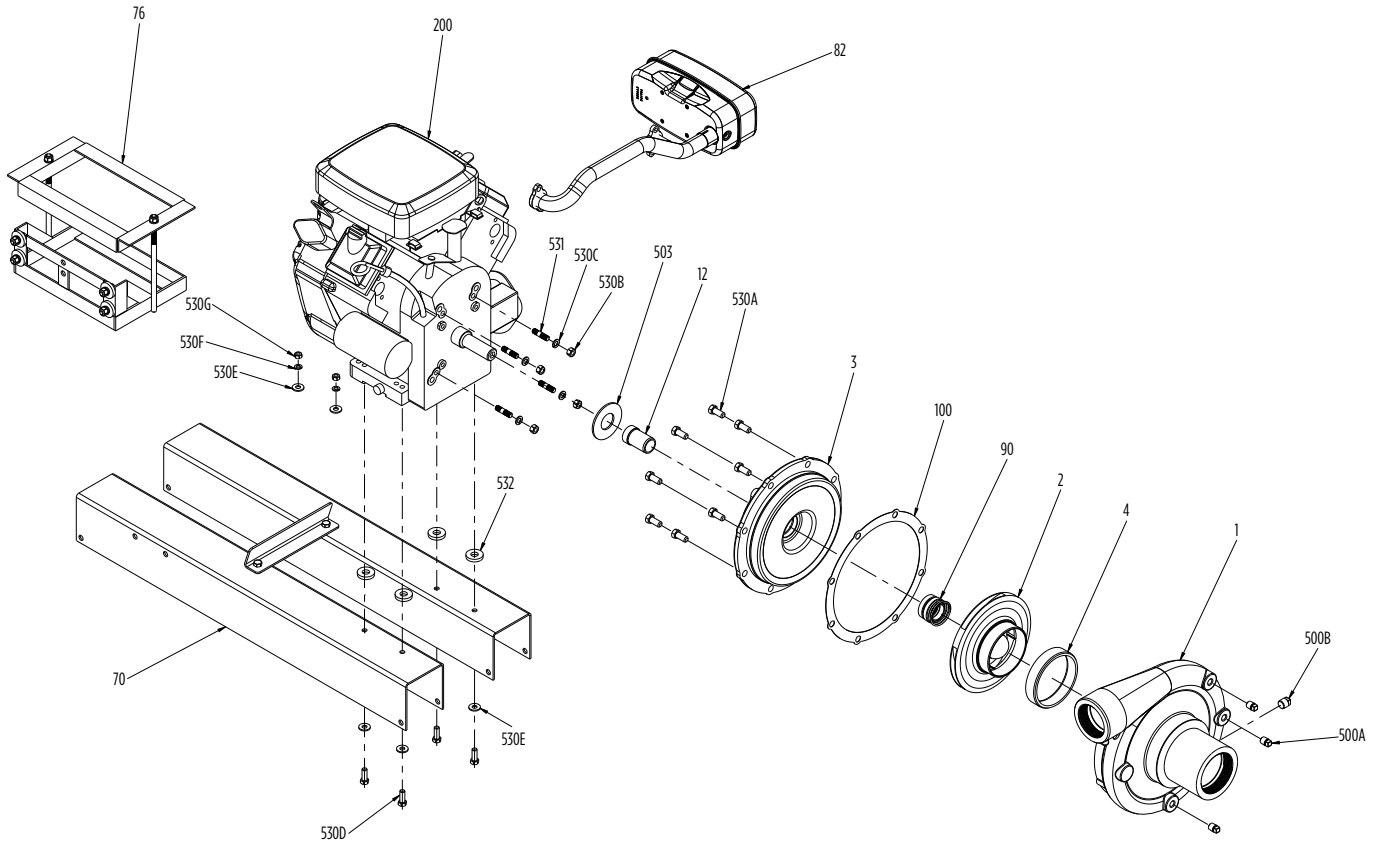


Fig. No.	Description	Part No.	Materials
1	Pump Case	305457001	Cast Iron, ASTM-A48 CL30
2	Impeller	305457012	Cast Iron, ASTM-A48 CL30
3	Motor Adapter	305457003	Cast Iron, ASTM-A48 CL30
4	Wear Ring (Suction)	305457004	SAE 660 Brass
12	Shaft Sleeve, Mechanical Seal	305457005	416 Stainless Steel
70	Base, Engine Frame	305459024	Various
76	Battery Holder Assembly	305457008	Various
82	Muffler	305457013	Various
90	Mechanical Shaft Seal	305457011	Carbon / Ceramic FKM / 316SS
100	Case Gasket	305457009	NA60
200	Engine B/S 23 hp	201942	Misc.
500A	Pipe Plug 1/4" (3 Req.) (4-Pack)	305463020	Cad-Plated Steel
500B	Pipe Plug 3/8" (1 Req.) (4-Pack)	305463175	Cad-Plated Steel
503	Water Slinger	305457010	Neoprene
530A	Hex Bolt - Volute (8 Req.) 7/16-14 (8-Pack)	305463183	Zinc-Plated Steel
530B	Hex Nut - Engine (4 Req.) (8-Pack)	305463033	Zinc-Plated Steel
530C	Lockwasher - Engine (4 Req.) (8-Pack)	305463135	Zinc-Plated Steel
530D	Hex Bolt - Motor Base (4 Req.) (4-Pack)	305463111	Zinc-Plated Steel
530E	Washer - Motor Base (4 Req.) (8-Pack)	305463247	Zinc-Plated Steel
530F	Lockwasher - Motor Base (4 Req.) (4-Pack)	305463092	Zinc-Plated Steel
530G	Hex Nut - Motor Base (4 Req.) (4-Pack)	305463062	Zinc-Plated Steel
531	Threaded Stud (4 Req.) (4-Pack)	305463093	Zinc-Plated Steel
532	Spacer (4 Req.) (4-Pack)	305463215	Cast Iron



Franklin Electric