



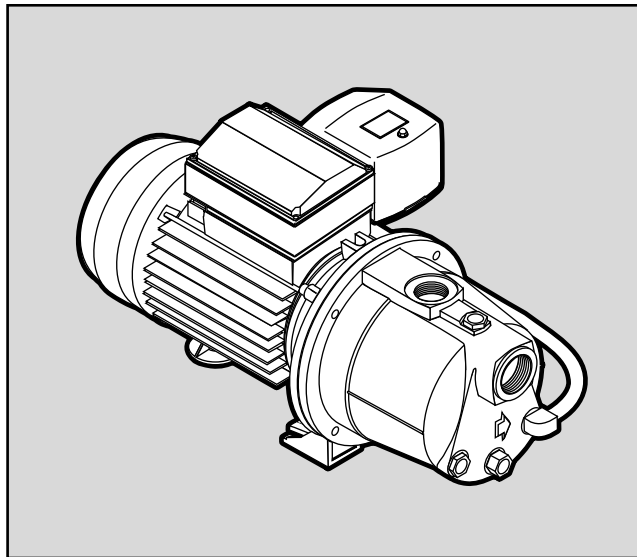
P.O. Box 342, Delavan, WI 53115
Phone: 1-800-365-6832
Fax: 1-800-526-3757
E-Mail: info@flotecwater.com
Web Site: http://www.flotecwater.com

**Water
 is Our
 Business®**

OWNER'S MANUAL
Shallow Well Jet Pump

NOTICE D'UTILISATION
Pompes à éjecteur
pour puits peu profonds

MANUAL DEL USUARIO
Bombas tipo "Jet"
para pozos poco profundos



**MOD. FP4105,
 FP410515H, FP4107**

Installation/Operation/Parts

For further operating, installation, or maintenance assistance:

Call 1-800-365-6832

English Pages 2-9

Installation/Fonctionnement/Pièces

Pour plus de renseignements concernant l'utilisation, l'installation ou l'entretien,

Composer le 1 (800) 365-6832

Français Pages 10-17

Instalación/Operación/Piezas

Para mayor información sobre el funcionamiento, instalación o mantenimiento de la bomba:

Llame al 1-800-365-6832

EspañolPaginas 18-25

READ AND FOLLOW SAFETY INSTRUCTIONS!

⚠ This is the safety alert symbol. When you see this symbol on your pump or in this manual, look for one of the following signal words and be alert to the potential for personal injury.

⚠ DANGER warns about hazards that **will** cause serious personal injury, death or major property damage if ignored.


⚠ WARNING warns about hazards that **can** cause serious personal injury, death or major property damage if ignored.

⚠ CAUTION warns about hazards that **will** or **can** cause minor personal injury or property damage if ignored.

The label **NOTICE** indicates special instructions which are important but not related to hazards.

Carefully read and follow all safety instructions in this manual and on pump.

⚠ WARNING



Hazardous voltage. Can shock, burn, or cause death.
Ground pump before connecting to power supply. Disconnect power before working on pump, motor or tank.

Keep safety labels in good condition.

Replace missing or damaged safety labels.

⚠ Ground motor before connecting to power supply.

⚠ Meet National Electrical Code, Canadian Electrical Code, and local codes for all wiring.

ELECTRICAL SAFETY

⚠ WARNING Capacitor voltage may be hazardous. To discharge motor capacitor, hold insulated handle screwdriver **BY THE HANDLE** and short capacitor terminals together. Do not touch metal screwdriver blade or capacitor terminals. If in doubt, consult a qualified electrician.

ATTACH ORIGINAL RECEIPT HERE FOR WARRANTY CONSIDERATION.

FLOTEC warrants to the original consumer purchaser ("Purchaser") of its products that they are free from defects in material or workmanship. If within twelve (12) months from the date of the original consumer purchase any such product shall prove to be defective, it shall be repaired or replaced at FLOTEC's option, subject to the terms and conditions set forth below. Your original receipt of purchase is required to determine warranty eligibility.

Exceptions to the Twelve (12) Month Warranty

Product	Warranty Period
Drill Pump, Pitcher Pump, In-line Water Filter Cartridge	90 days
1/3 HP Submersible Sump Pumps, INTELLIPUMP (Model FP0S1775A) Back-up Sump Pump System (Model FP2800DCC)	2 Years
4" Submersible Well Pumps, 1/2 HP Submersible Sump Pumps Models FPSC2200A-10 and FPSC2250A-10	3 Years
Pre-Charge Water System Tank, Models FPSC3200A-10 and FPSC3250A-10	5 Years
Floodmate® 7000 (Model FP0S6000A), Ironmate® (Model FPSC4550A) Sewage Ejector (Model FPSE3601A), Pedestal Sump Pump (Model FPPSS5000) Utility Pump (Model FPSC1725X), Submersible Sump Pump (Model FPSC4550A-10)	Lifetime

General Terms and Conditions

Purchaser must pay all labor and shipping charges necessary to replace product covered by this warranty. This warranty shall not apply to acts of God, nor shall it apply to products which, in the sole judgement of FLOTEC, have been subject to negligence, abuse, accident, misapplication, tampering, alteration; nor due to improper installation, operation, maintenance or storage; nor to other than normal application, use or service, including but not limited to, operational failures caused by corrosion, rust or other foreign materials in the system, or operation at pressures in excess of recommended maximums.

Requests for service under this warranty shall be made by returning the defective product to the Retail outlet or to FLOTEC as soon as possible after the discovery of any alleged defect. FLOTEC will subsequently take corrective action as promptly as reasonably possible. No requests for service under this warranty will be accepted if received more than 30 days after the term of the warranty.

This warranty sets forth FLOTEC's sole obligation and purchaser's exclusive remedy for defective products.

FLOTEC SHALL NOT BE LIABLE FOR ANY CONSEQUENTIAL, INCIDENTAL, OR CONTINGENT DAMAGES WHATSOEVER.

THE FOREGOING WARRANTIES ARE EXCLUSIVE AND IN LIEU OF ALL OTHER EXPRESS WARRANTIES. IMPLIED WARRANTIES, INCLUDING BUT NOT LIMITED TO THE IMPLIED WARRANTIES OF MERCHANTABILITY AND FITNESS FOR A PARTICULAR PURPOSE, SHALL NOT EXTEND BEYOND THE DURATION OF THE APPLICABLE EXPRESS WARRANTIES PROVIDED HEREIN.

Some states do not allow the exclusion or limitation of incidental or consequential damages or limitations on how long an implied warranty lasts, so the above limitations or exclusions may not apply to you. This warranty gives you specific legal rights and you may also have other rights which vary from state to state.

FLOTEC • P.O. Box 342 • Delavan, WI U.S.A. 53115

Phone: 1-800-365-6832 • Fax: 1-800-526-3757

E-Mail: info@flotecwater.com • Web Site: http://www.flotecwater.com

GENERAL SAFETY

CAUTION Do not touch an operating motor. Modern motors are designed to operate at high temperatures. To avoid burns when servicing pump, allow it to cool for 20 minutes after shut-down before handling.

Do not allow pump or any system component to freeze. To do so will void warranty.

Pump water only with this pump.


Periodically inspect pump and system components.

Wear safety glasses at all times when working on pumps.

Keep work area clean, uncluttered and properly lighted; store properly all unused tools and equipment.

Keep visitors at a safe distance from the work areas.

WARNING Pump body may explode if used as a booster pump unless relief valve capable of passing full pump flow at 75 psi is installed.

	<p>WARNING</p> <p>Hazardous pressure! Install pressure relief valve in discharge pipe.</p> <p>Release all pressure on system before working on any component.</p>
--	---

SHALLOW WELL JET PUMP INSTALLATIONS:

- Have a vertical depth between the pump and the water being pumped of 25' or less.
- Have one pipe from the well to the pump case.
- Can be installed in a bored or drilled well, or in a driven well.

REPLACING AN OLD PUMP

WARNING Hazardous voltage. Disconnect power to pump before working on a pump or a motor.

1. Drain and remove the old pump. Check the old pipe for scale, lime, rust, etc., and replace it if necessary.
2. Install the pump in the system. Make sure that all pipe joints in the suction pipe are air-tight as well as water tight. **If the suction pipe can suck air, the pump will not be able to pull water from the well.**
3. Adjust the pump mounting height so that the plumbing connections do not put a strain on the pump body. Support the pipe so that the pump body does not take the weight of piping or fittings.

You have just completed the well plumbing for your new shallow well jet pump. Please go to Pages 5 and 6 for discharge pipe and tank connections.

WELL POINT (DRIVEN POINT) INSTALLATION (FIGURE 1)

1. Drive the well, using drive couplings and a drive cap.

Drive fittings are threaded all the way through and allow the pipe ends to butt against each other so that the driving force of the maul is carried by the pipe and not by the threads. The ordinary fittings found in hardware stores are not threaded all the way through the fitting and can collapse under impact. Drive fittings are also smoother than standard plumbing fittings, making ground penetration easier.

2. Mount the pump as close to the well as possible
3. Use the fewest possible fittings (especially elbows) when connecting the pipe from the well point to the pump suction port. The suction pipe should be at least as large as the suction port on the pump (include a check valve as close to the well as possible - see Figure 1). Support the pipe so that there are no dips or sags in the pipe, so it doesn't strain the pump body, and so that it slopes slightly upward from the well to the pump (high spots can cause air pockets which can air lock the pump). Seal the suction pipe joints with teflon tape. Joints must be air- and water-tight. **If the suction pipe can suck air, the pump cannot pull water from the well.** If one well point does not supply enough water, consider connecting two or three well points to one suction pipe.

You have just completed the suction piping for your new shallow well jet pump. Please go to Pages 5 and 6 for discharge pipe and tank connections.

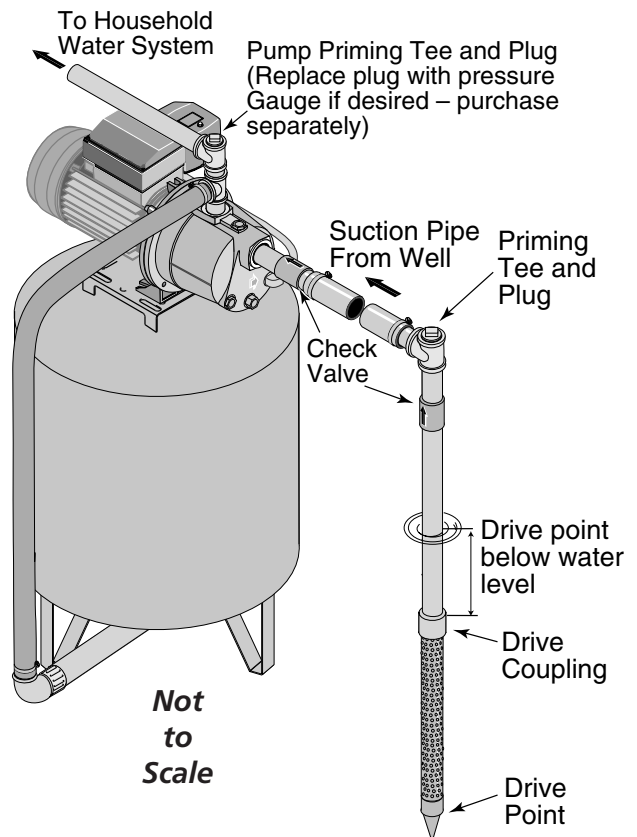


Figure 1 – Driven Point Installation

CASED WELL INSTALLATION, 2" OR LARGER CASING (FIGURE 2)

1. Mount the pump as close to the well as possible.
2. Assemble the foot valve, strainer, and well pipe (see Figure 2). Make sure that the foot valve works freely.
3. Lower the pipe into the well until the strainer is five feet above the bottom of the well. It should also be at least 10 feet below the well's water level *while the pump is running* in order to prevent the pump from sucking air. Install a sanitary well seal.
4. Install a priming tee, priming plug, and suction pipe to the pump (see Figure 2). Connect the pipe from the well to the pump suction port, using the fewest possible fittings – especially elbows – as fittings increase friction in the pipe (however, include a foot valve – see Figure 2). The suction pipe should be at least as large as the suction port on the pump. Use teflon tape on threaded pipe joints. Support the pipe so that there are no dips or sags in the pipe, so it doesn't strain the pump body, and so that it slopes slightly upward from the well to the pump (high spots can cause air pockets which can air lock the pump). Seal the suction pipe joints with teflon tape. Joints must be air-tight and water-tight. ***If the suction pipe can suck air, the pump cannot pull water from the well.***

You have just completed the suction piping for your new shallow well jet pump. Please go to Pages 5 and 6 for discharge pipe and tank connections.

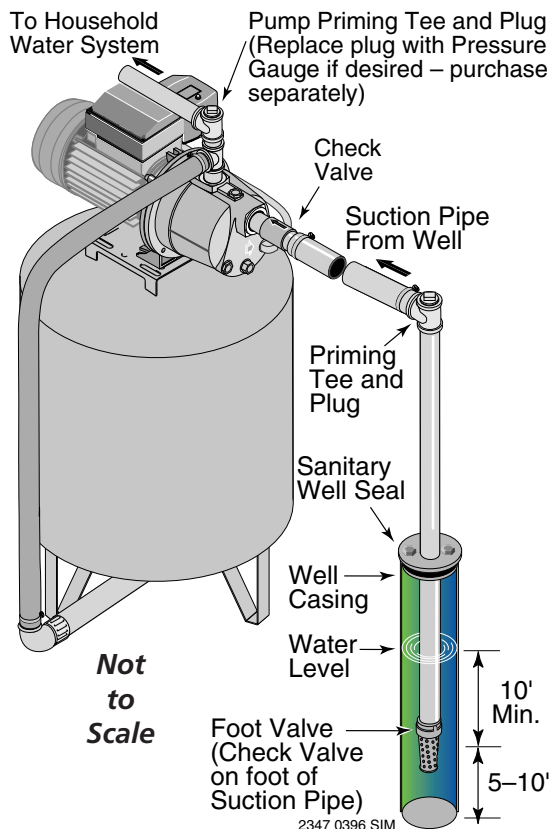


Figure 2 – Cased Well Installation

INSTALLATION FOR SURFACE WATER (FIGURE 3)

1. The pump should be installed as close to the water as possible, with the fewest possible fittings (especially elbows) in the suction pipe. The suction pipe should be at least as large as the suction port on the pump.
2. Assemble a foot valve and suction pipe (see Figure 3). Make sure that the foot valve works freely. Use teflon tape on threaded pipe joints. Protect the foot valve assembly from fish, trash, etc. by installing a screen around it (see Figure 3).
3. Lower the pipe into the water until the strainer is five feet above the bottom. It should also be at least 10 feet below the water level in order to prevent the pump from sucking air.
4. Install a priming tee, priming plug, and suction pipe to the pump (see Figure 3). Support the pipe so that there are no dips or sags in the pipe, so it doesn't strain the pump body, and so that it slopes slightly upward from the well to the pump (high spots can cause air pockets which can air lock the pump). Seal the suction pipe joints with teflon tape. Joints must be air-tight and water-tight. ***If the suction pipe can suck air, the pump cannot pull water from the well.***

You have just completed the plumbing for your new shallow well jet pump. Please go to Pages 5 and 6 for discharge pipe and tank connections.

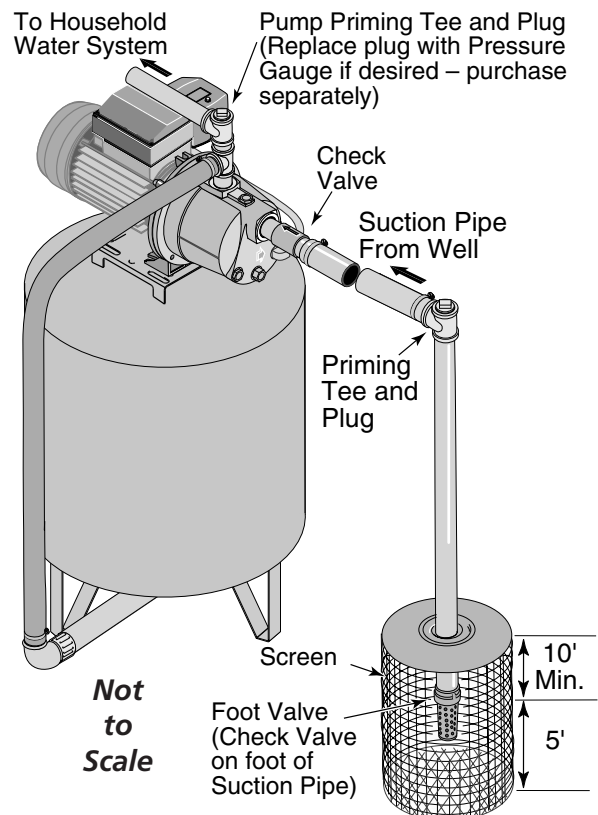


Figure 3 - Surface Water Installation

PRE-CHARGE TANK CONNECTION (FIGURES 4 AND 5)

1. Install two tees in the pump discharge port (see Figure 4). The pipe size must be at least as large as the discharge port.
NOTE: A pre-plumbed pump-on-tank system only requires one tee.
2. Run a pipe or reinforced hose from one arm of the first tee to the port on the pre-charged tank.
3. Connect the other discharge tee to your plumbing system.
4. Check the pre-charge of air in the tank with an ordinary tire gauge. Your new pump has a 30/50 PSI switch, so adjust the tank pre-charge pressure to 28 PSI. The pre-charge is measured *when there is no water in the tank*. The pre-charge should be 2 PSI less than the cut-in setting of the pump's pressure switch.

Congratulations! You have just completed the tank connection for your jet pump.

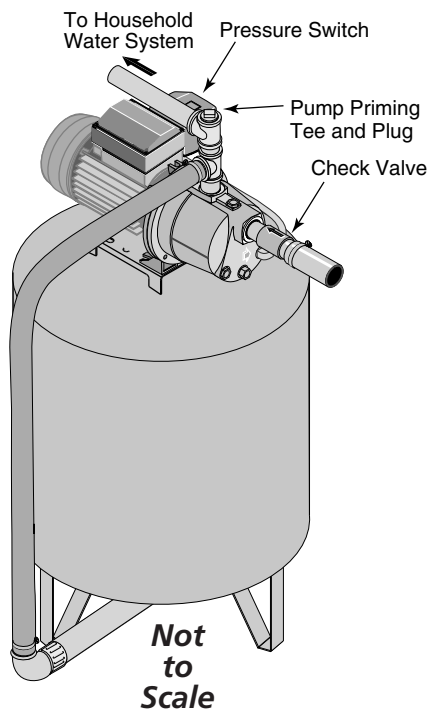


Figure 4 – Pre-charged Tank Connections

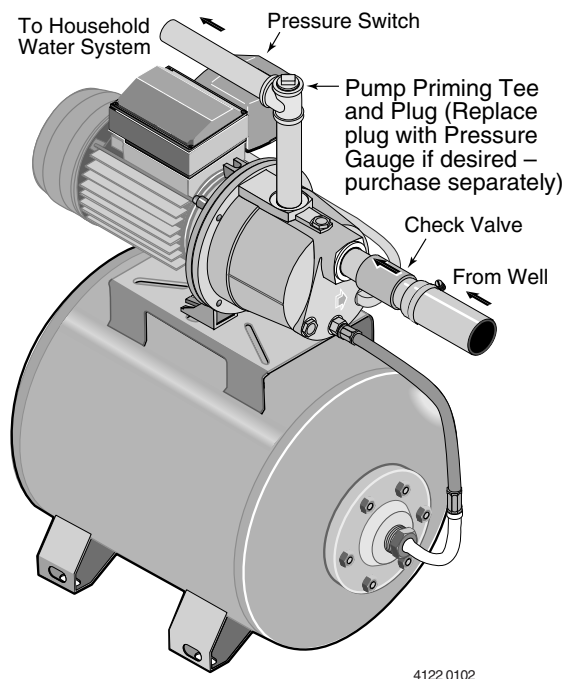


Figure 5 – Pump-on-tank Connections

Sealing Pipe Joints

Use only teflon tape for making all threaded connections to the pump itself. **Do not use pipe joint compounds on plastic:** they can react with the plastic. Make sure that all pipe joints in the suction pipe are air tight as well as water tight. ***If the suction pipe can suck air, the pump will not be able to pull water from the well.***

STANDARD TANK CONNECTION (FIGURE 6)

1. Install a tee in the pump discharge port (see Figure 6).
2. Run a pipe from the pump discharge port to the inlet port of your tank. The pipe size must be at least as large as the discharge port.
3. Install a tee with reducing bushings in the suction pipe as shown in Figure 6.
4. Install a barbed fitting in the smallest bushing (1/8" NPT).
5. Run the AVC tubing from the barbed fitting on the suction pipe tee to the port in the AVC mounted on the tank. See the instructions provided with the tank and the AVC for details. The AVC port location may vary.

Congratulations! You have just completed the tank connection for your jet pump.

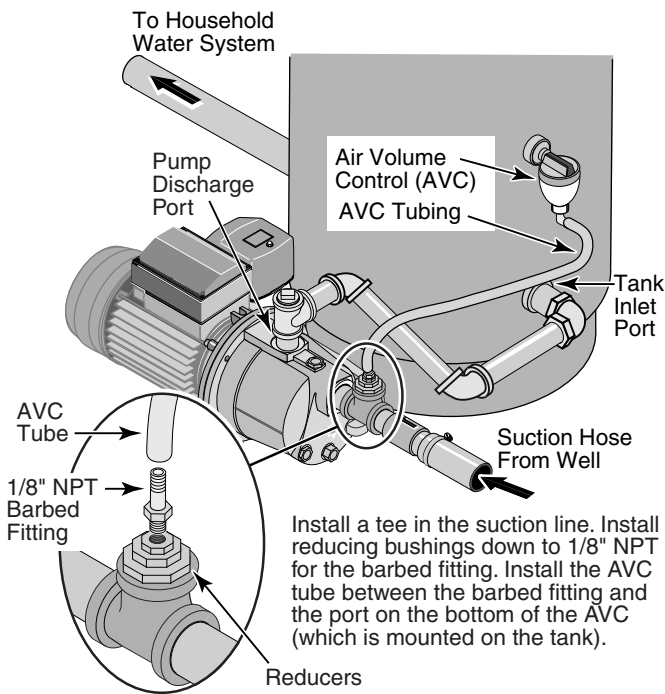


Figure 6 – Standard Tank Connections

ELECTRICAL

▲WARNING Hazardous voltage. Can shock, burn, or kill. Connect ground wire before connecting power supply wires. Use the wire size (including the ground wire) specified in the wiring chart. If possible, connect the pump to a separate branch circuit with no other appliances on it.

▲WARNING Explosion hazard. Do not ground to a gas supply line.

Wiring

▲WARNING Fire hazard. Incorrect voltage can cause a fire or seriously damage the motor and voids the warranty. The supply voltage must be within $\pm 10\%$ of the motor nameplate voltage. Do not alter the wiring in the motor. Connect to 115 Volt supply only.

Install, ground, wire, and maintain your pump in compliance with the National Electrical Code (NEC) or the Canadian Electrical Code (CEC), as applicable, and with all local codes and ordinances that apply. Consult your local building inspector for code information.

Connection Procedure:

Your Pressure Switch looks like one of those shown in Figure 7. Connect the power supply as shown for your type of switch.

1. Connect the ground wire first as shown in Figure 7. The ground wire must be a solid copper wire at least as large as the power supply wires.
2. There must be a solid metal connection between the pressure switch and the motor for motor grounding protection. If the pressure switch is not connected to the motor, connect the green ground screw in the switch to the green ground screw under the motor end cover. Use a solid copper wire at least as large as the power supply wires.
3. Connect the ground wire to a grounded lead in a service panel, to a metal underground water pipe, to a metal well casing at least ten feet (3M) long, or to a ground electrode provided by the power company or the hydro authority.

WIRING CHART – RECOMMENDED WIRE AND FUSE SIZES

Model	HP	Volts	Maximum Load Amps	Branch Circuit Breaker Rating (Amps)*	Distance in Feet (m) from Motor To Supply Wires Sizes AWG (mm ²)			
					0-100 (0-30)	101-200 (31-61)	201-300 (62-91)	301-400 (92-122)
FP4105	1/2	115	7.2	15	14 (2)	12 (3)	10 (5.5)	8 (8.4)
FP410515H	1/2	115	7.2	15	14 (2)	12 (3)	10 (5.5)	8 (8.4)
FP4107	3/4	115	8.6	15	14 (2)	10 (5.5)	8 (8.4)	6 (14)

* When using fuses, dual element or Fusetron time delay fuses are recommended for all motor circuits.

4. Connect the power supply wires to the pressure switch as shown in Figure 7.

You have just completed the wiring for your pump.

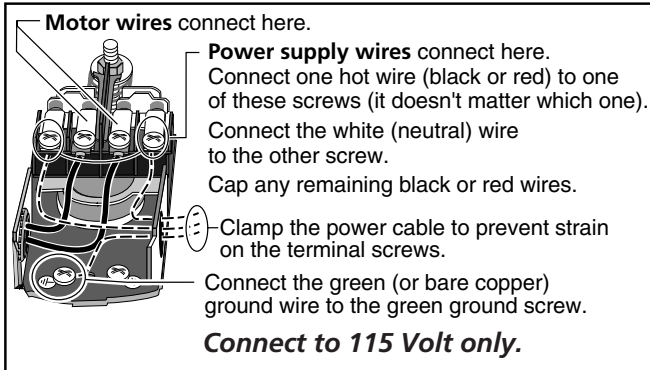


Figure 7 – Wiring Connections to 115 Volt Power Supply

PRIMING

CAUTION Never run pump dry. Running pump without water may cause pump to overheat, damaging seal and possibly causing burns to persons handling pump. Fill pump with water before starting.

WARNING Never run pump against closed discharge. To do so can boil water inside pump, causing hazardous pressure in unit, risk of explosion and possibly scalding persons handling pump.

1. Remove the priming plug from the priming tee and fill the pump. Fill all piping between the pump and the well and make sure that all piping in the well is full. If you have also installed a priming tee in the suction piping, remove the plug from the tee and fill the suction piping.

2. Replace all fill plugs (use teflon tape).
3. **Power on!** Start the pump. If you don't have water in 2 minutes, stop the pump and remove the fill plugs. Refill the pump and piping. You may have to repeat this several times in order to get all the trapped air out of the piping. A pump lifting water 25' may take as long as 15 minutes to prime.
4. After the pump has built up pressure in the system and shut off, check the pressure switch operation by opening a faucet or two and running enough water out to bleed off pressure until the pump starts. The pump should start when pressure drops to 30 PSI and stop when pressure reaches 50 PSI. Run the pump through one or two complete cycles to verify correct operation. This will also help clean the system of dirt and scale dislodged during installation.

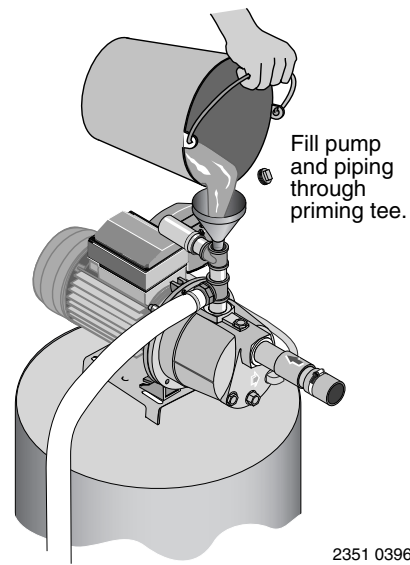
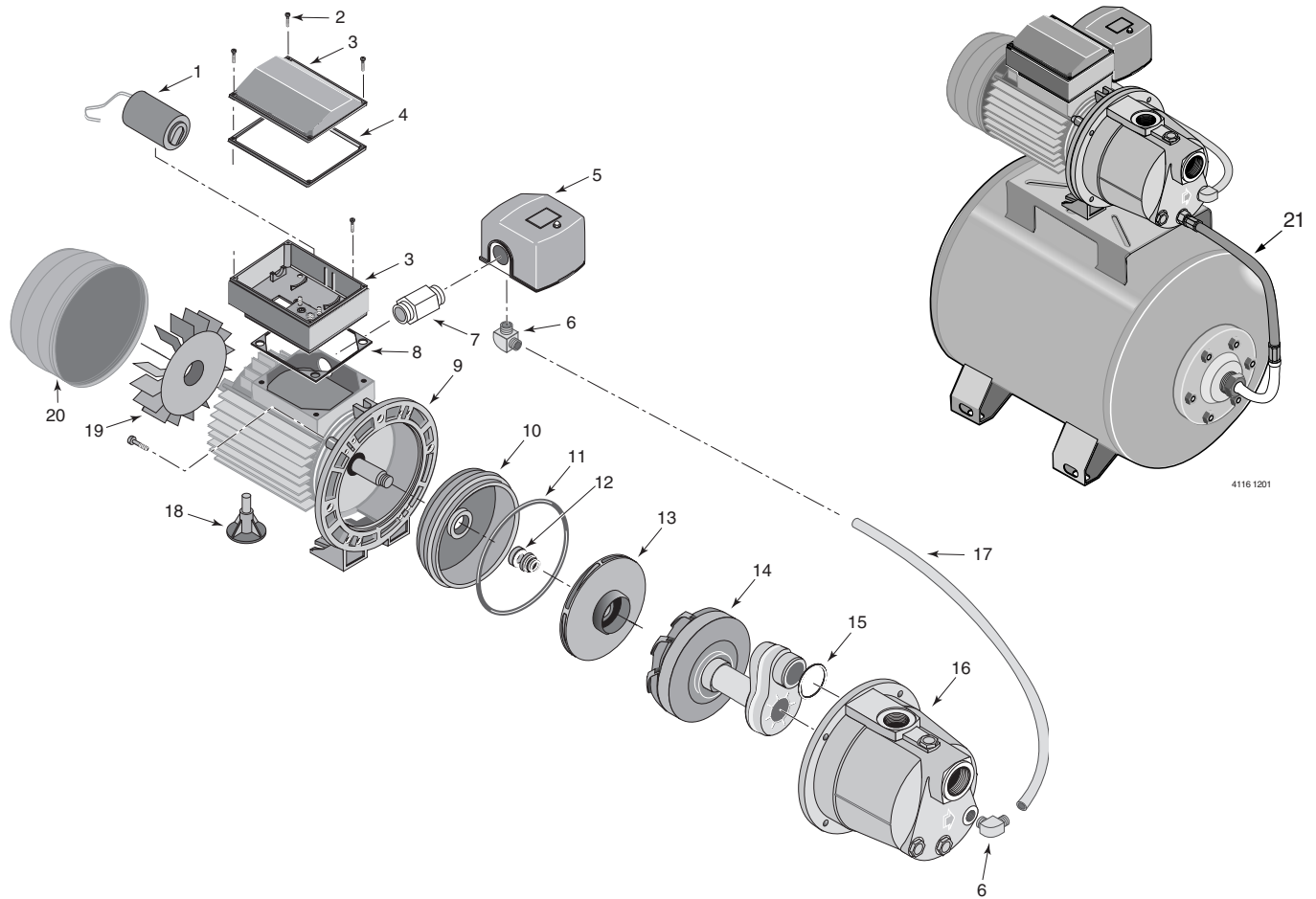


Figure 8 – Prime the Pump

Congratulations on a successful installation.

If you were unsuccessful, please refer to the Troubleshooting section (Page 8) or call our customer service technical staff at 1-800-365-6832.

SYMPTOM	POSSIBLE CAUSE(S)	CORRECTIVE ACTION
Motor will not run	Disconnect switch is off Fuse is blown or circuit breaker tripped Wires at motor are loose, disconnected, or wired incorrectly Pressure switch contacts are dirty	Be sure switch is on. Replace fuse or reset circuit breaker. DISCONNECT POWER; check and tighten all wiring. DISCONNECT POWER and clean the electrical contacts.
Motor runs hot and overload kicks off	Voltage is too low Pump cycles too frequently	Check with power company. Install heavier wiring if wire size is too small. See section below on too frequent cycling.
Motor runs but no water is delivered* * (Note: <i>Stop pump</i> ; then check prime before looking for other causes. Unscrew priming plug and see if water is in priming hole).	Pump in new installation did not pick up prime through: 1. Improper priming 2. Air leaks 3. Leaking foot valve or check valve Pump has lost prime through: 1. Air leaks 2. Water level below suction pipe inlet Foot valve or strainer is plugged Ejector or impeller is plugged Check valve or foot valve is stuck shut Pipes are frozen Foot valve and/or strainer are buried in sand or mud Water level is too low for shallow well setup to deliver water	In new installation: 1. Re-prime according to instructions. 2. Check all connections on suction line, AVC, and ejector with shaving cream. 3. Replace foot valve or check valve. In installation already in use: 1. Check all connections on suction line and well seal. 2. Lower suction line into water and re-prime. If receding water level in well exceeds 25' (7.6M), a deep well pump is needed. Clean foot valve or strainer. Clean ejector or impeller (See Repair Parts page). Replace check valve or foot valve. Thaw pipes. Bury pipes below frost line. Heat pit or pump house. Raise foot valve and/or strainer above bottom of water source. Clean foot valve and strainer. A deep well pump may be needed (over 25 ft. to water) to deliver water.
Pump does not deliver water to full capacity	Water level in well is lower than estimated Steel piping (if used) is corroded or limed, causing excess friction Piping is too small in size Packed well point	A deep well jet will be needed if your well is more than 25' (7.6M) depth to water. Replace with plastic pipe where possible, otherwise with new steel pipe. Use larger piping. Backflush well point or sink new point.
Pump delivers water but does not shut off or pump cycles too frequently	Pressure switch is out of adjustment or contacts are welded together Faucets have been left open Venturi, nozzle or impeller is clogged Standard pressure tank is waterlogged and has no air cushion Pipes leak Foot valves leak Air charge too low in pre-charged tank	DISCONNECT POWER; adjust or replace pressure switch. Close faucets. Clean venturi, nozzle or impeller (See Repair Parts page). Drain tank to air volume control port. Check AVC for defects. Check all connections for air leaks. Check connections. Replace foot valve. DISCONNECT POWER and open faucets until all pressure is relieved. Using tire pressure gauge, check air pressure in tank at valve stem located on the tank. If necessary, adjust air pressure in tank to 28 PSI (2 PSI lower than switch cut-in setting). Check air valve for leaks (use shaving cream) and replace core if necessary.
Air spurts from faucets	Pump is picking up prime Leak in suction side of pump Well is gaseous Intermittent over-pumping of well. (Water drawn down below foot valve.)	When pump has picked up prime, it should pump solid water with no air. Suction pipe is sucking air. Check joints for leaks with shaving cream. Consult factory about installing a sleeve in the well Lower foot valve if possible, otherwise restrict pump discharge



Repair Parts

Key No.	Part Description	No. Used	FP4105 FP410515H	FP4107
1	Capacitor	1	171P5620	171P5430
2	Screw 3.5 x 12.7	11	121P2060	121P2060
3	Wiring Box and Cover	1	102P2870	102P2870
4	Wiring Box Cover Gasket	1	111P1350	111P1350
5	Pressure Switch	1	U217-1202	U217-1202
6	90° Hose Barb	2	U111-212T	U111-212T
7	Connector, 1/2" NSPM	1	J43-13C	J43-13C
•	Connector Lock Ring	1	U36-112ZP	U36-112ZP
8	Wiring Box Base Gasket	1	111P1340	111P1340
9	Seal Plate and Motor	1	†	†
10	Seal Plate Insert	1	101P1290	101P1290
11	O-Ring	1	111P0700	111P0700
12	Shaft Seal, Complete	1	ZBR00010	ZBR00010
13	Impeller	1	731S5700	731S2220
14	Diffuser/Nozzle/Venturi	1	101P3440	101P3440
15	O-Ring	1	111P0480	111P0480
16	Volute	1	731P1000	731P1000
17	Pressure Switch Tube	1	U37-669P	U37-669P
18	Motor Foot	1	101P1400	101P1380
19	Fan	1	102P2010	102P0570
20	Motor End Cover	1	201P0150	201P0160
21	Flexible Pipe with Fitting (Tank to Pump, FP4105H Only)	1	ZA004870	ZA004870

† Not Available Separately. If needed, replace pump.

For parts or assistance, call Flotec Customer Service at 1-800-365-6832

LIRE TOUTES CES INSTRUCTIONS ET LES SUIVRE!

⚠ Ce symbole indique qu'il faut être prudent. Lorsque ce symbole apparaît sur la pompe ou dans cette Notice, rechercher une des mises en garde qui suivent, car elles indiquent un potentiel possible de blessures corporelles :

⚠ DANGER avertit d'un danger **qui causera** des blessures corporelles, la mort ou des dommages matériels importants si on l'ignore.

⚠ AVERTISSEMENT avertit d'un danger **qui risque** de causer des blessures corporelles, la mort ou des dommages matériels importants si on l'ignore.

⚠ ATTENTION avertit d'un danger qui **causera** ou qui **risquera** de causer des blessures corporelles, la mort ou des dommages matériels importants si on l'ignore.

Le mot **NOTA** indique des instructions spéciales et importantes n'ayant aucun rapport avec les dangers.

⚠ AVERTISSEMENT



Tension dangereuse. Risque de secousses électriques, de brûlures, voire de mort.

Mettre à la terre la pompe avant de la brancher sur le courant électrique. Couper l'arrivée de courant avant d'intervenir sur la pompe, sur le moteur ou sur le réservoir.

Lire attentivement toutes les consignes de sécurité contenues dans cette Notice ou collées sur la pompe.

Garder les autocollants de sécurité en bon état; les remplacer s'ils manquent ou s'ils ont été endommagés.

⚠ Mettre à la terre le moteur avant de le brancher sur le courant électrique.

⚠ Conforme au Code national de l'électricité, au Code canadien de l'électricité et aux codes municipaux pour tous les câblages.

SÉCURITÉ CONCERNANT L'ÉLECTRICITÉ

⚠ AVERTISSEMENT La tension du condensateur peut être dangereuse. Pour décharger le condensateur du moteur, tenir un tournevis à manche isolé **PAR LE MANCHE** et mettre en court-circuit les bornes du condensateur. Ne pas toucher la lame métallique du tournevis ni les bornes du condensateur. En cas de doute, consulter un électricien qualifié.

ATTACHER LE REÇU D'ORIGINE ICI À DES FINS DE GARANTIE

FLOTEC garantit à l'acheteur-utilisateur initial de ses produits ("Acheteur") contre tout défaut de fabrication et de matériaux.

Tout produit reconnu défectueux dans les douze (12) mois qui suivent la date d'achat d'origine sera remplacé ou réparé à la discrétion de FLOTEC, selon les conditions stipulées ci-dessous. La preuve d'achat est exigée pour déterminer l'admissibilité à la garantie.

Exceptions à la garantie de douze (12) mois

Produits	Période de garantie
Pompe adaptable sur perceuse, pompe d'amorçage, cartouche de filtre à eau en ligne	90 jours
Pompes submersibles de puisard INTELLIPUMP, de 1/3 ch (Modèle FP0S1775A) Système de pompage de secours de puisard de soutien (Modèle FP2800DCC)	2 ans
Pompes submersibles pour puits de 4 pouces, Pompes submersibles de puisard de 1/2 ch Modèles FPSC2200A-10 et FPSC2250A-10	3 ans
Réservoirs préchargés de système d'eau, Modèles FPSC3200A-10 et FPSC3250A-10	5 ans
Floomate® 7000 (Modèle FP0S6000A), Ironmate® (Modèle FPSC4550A) Éjecteur d'eaux d'égout (Modèle FPSE3601A), Pompe sur colonne de puisard (Modèle FPPSS5000) Pompe à usage général (Modèle FPSC1725X), Pompe submersible de puisard (Modèle FPSC4550A-10)	À vie

Conditions générales

L'Acheteur s'engage à payer tous les frais de main-d'œuvre et d'expédition nécessaires au remplacement du produit couvert par la garantie. Cette garantie ne couvrira pas les cas de force majeure, et ne s'appliquera pas aux produits qui, du seul avis de FLOTEC, ont fait l'objet de négligence, d'utilisation abusive ou incorrecte, d'accident, de modification ou d'altération ; ni aux produits qui n'ont pas été installés, utilisés, entreposés ou entretenus correctement ; ni à ceux qui n'ont pas été utilisés ou entretenus normalement, y compris, mais sans s'y limiter, aux produits ayant des pannes de fonctionnement causées par la corrosion, la rouille ou autre corps étranger dans le système, ou à des produits ayant fonctionné à des pressions dépassant la limite maximale recommandée.

Les demandes de service en vertu de la présente garantie seront faites en retournant le produit défectueux au détaillant ou à FLOTEC dès la découverte de tout défaut allégué. FLOTEC prendra alors les mesures correctives aussi rapidement qu'il est raisonnablement possible. Aucune demande de service en vertu de la présente garantie ne sera acceptée si elle est reçue plus de 30 jours après l'expiration de la dite garantie.

La présente garantie énonce la totalité des obligations de FLOTEC et le seul recours possible de l'Acheteur dans le cas de produits défectueux.

FLOTEC NE SERA TENU RESPONSABLE D'AUCUN DOMMAGE INDIRECT, ACCIDENTEL OU FORTUIT QUEL QU'IL SOIT.

LES PRÉSENTES GARANTIES SONT EXCLUSIVES ET TIENNENT LIEU DE TOUTE AUTRE GARANTIE EXPRESSE. LES GARANTIES IMPLICITES, Y COMPRIS, MAIS SANS S'Y LIMITER, LES GARANTIES IMPLICITES AYANT TRAIT À LA COMMERCIALITÉ ET À L'ADAPTATION À UN USAGE PARTICULIER, NE DÉPASSERONT PAS LA DURÉE DES GARANTIES EXPRESSES APPLICABLES STIPULÉES DANS LES PRÉSENTES.

Certaines provinces n'autorisent pas d'exclure ou de limiter les dommages fortuits ou indirects ou de limiter la durée d'une garantie implicite ; il se peut donc que les limitations ou exclusions ci-dessus ne s'appliquent pas à votre cas. La présente garantie vous donne des droits juridiques spécifiques et vous pouvez en avoir d'autres qui varient d'une province à l'autre.

FLOTEC • P.O. Box 342 • Delavan, WI U.S.A. 53115

Téléphone: 1-800-365-6832 • Télécopieur: 1-800-526-3757

Courrier électronique: info@flotecwater.com • Site Web: <http://www.flotecwater.com>

SÉCURITÉ GÉNÉRALE

ATTENTION Ne pas toucher un moteur qui fonctionne. Les moteurs modernes sont conçus pour fonctionner par des températures élevées. Pour ne pas se brûler lorsque l'on interviendra sur la pompe, la laisser refroidir pendant 20 minutes après l'avoir arrêtée avant de la toucher. Ne pas laisser geler la pompe ni aucun autre élément du système, sinon la garantie sera annulée.

Ne pomper que de l'eau avec cette pompe. Périodiquement, inspecter la pompe et tous les éléments du système. Toujours porter des lunettes de sécurité lorsque l'on intervient sur une pompe.

Garder la zone de travail propre, non encombrée et bien éclairée; tous les outils et tout l'équipement non utilisés doivent être entreposés correctement.

Ne pas laisser les visiteurs s'approcher de la zone de travail.

AVERTISSEMENT Le corps de la pompe peut exploser si la pompe est utilisée en tant que pompe de surpression, à moins qu'une soupape de sûreté pouvant laisser passer le débit maximum de la pompe à 75 lb/po² soit posée.



INSTALLATION DES POMPES À ÉJECTEUR POUR PUIXS PEU PROFONDS :

- La profondeur verticale entre la pompe et l'eau pompée doit être de 25 pieds maximum.
- Installer un tuyau entre le puits et le corps de la pompe.
- Peut être installée dans un puits creusé ou tubé ou bien sur une pointe filtrante.

REPLACEMENT D'UNE ANCIENNE POMPE

AVERTISSEMENT Tension dangereuse. Couper l'arrivée de courant à la pompe avant d'intervenir sur la pompe ou sur le moteur.

1. Vider toute l'eau de l'ancienne pompe; déposer l'ancienne pompe. Vérifier l'ancienne tuyauterie à la recherche de dépôts de tartre, de chaux, de rouille, etc.; la remplacer selon le besoin.
2. Brancher la pompe sur le système. S'assurer que tous les raccords du tuyau d'aspiration sont bien étanches, aussi bien à l'air qu'à l'eau. **Si le tuyau d'aspiration aspire de l'air, la pompe ne pompera pas l'eau du puits.**
3. Régler la hauteur de montage de la pompe de façon que les raccords de plomberie n'exercent aucune contrainte sur le corps de la pompe. Supporter les tuyaux de façon que le corps de la pompe ne supporte pas le poids de la tuyauterie ni des raccords.

Le branchement de cette pompe à éjecteur neuve pour puits profonds sur la tuyauterie du puits est maintenant terminé. Se reporter aux pages 13 et 14 pour le branchement de la tuyauterie de refoulement sur un réservoir.

INSTALLATION DE LA POINTE FILTRANTE (FIGURE 1)

1. Enfoncer la pointe dans le sol, en utilisant des «raccords d'enfoncement» et des «chapeaux de battage». Les «raccords d'enfoncement» sont filetés sur toute leur longueur, ce qui permet aux extrémités des tuyaux de venir en butée l'une contre l'autre de façon que la force d'enfoncement du maillet soit absorbée par le tuyau et non pas par les filets. Les raccords ordinaires que l'on trouve dans les quincailleries ne sont pas filetés sur toute leur longueur et ils risquent de s'écraser sous l'impact des coups. Les «raccords d'enfoncement» sont également plus lisses que les raccords de plomberie standard, ce qui leur permet de pénétrer plus facilement dans le sol.
2. Monter la pompe aussi près que possible du puits.
3. Utiliser le moins possible de raccords (en particulier des coudes) lorsque l'on branche la tuyauterie de la pointe filtrante sur l'orifice d'aspiration de la pompe (y compris le diamètre du tuyau d'aspiration doit être au moins aussi grand que le diamètre de l'orifice d'aspiration de la pompe (y compris le clapet anti-retour si la pompe n'en comporte pas un - voir la Figure 1). Supporter le tuyau de façon qu'il ne soit pas cintré afin qu'il n'exerce pas de contraintes sur le corps de la pompe; de plus, il doit être légèrement incliné vers le haut, du puits jusqu'à la pompe (les points hauts risquent de causer des poches et des bouchons d'air dans la pompe). Rendre étanches les raccords du tuyau d'aspiration avec du ruban téflon ou une pâte pour raccords filetés à base de téflon. Les raccords doivent être étanches à l'air et à l'eau. **Si le tuyau d'aspiration aspire de l'air, la pompe ne pompera pas l'eau du puits.** Si une pointe filtrante ne fournit pas suffisamment d'eau, considérer brancher deux ou trois pointes filtrantes sur un même tuyau d'aspiration.

Le branchement de cette pompe à éjecteur neuve pour puits profonds sur la tuyauterie du puits est maintenant terminé. Se reporter aux pages 13 et 14 branchement pour la tuyauterie de refoulement et sur un réservoir.

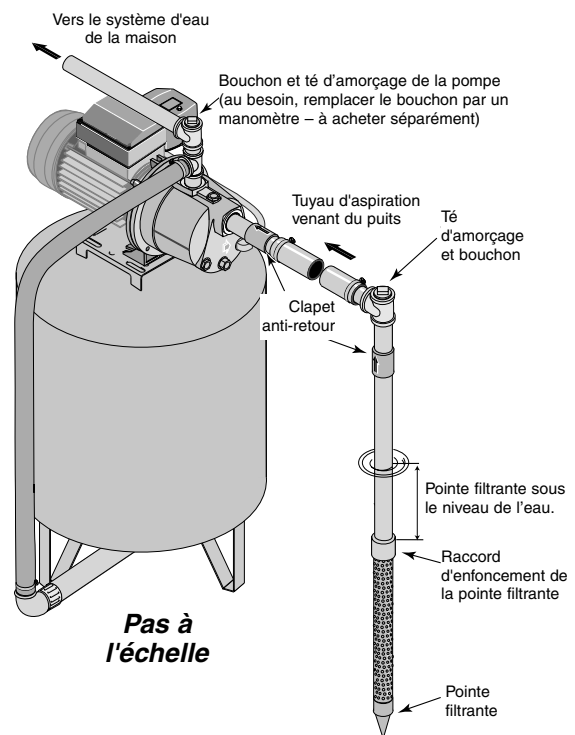


Figure 1: Installation avec une pointe filtrante

INSTALLATION SUR UN PUIT À TUBAGE DE 2 POUCHES DE DIAMÈTRE OU PLUS GRAND (VOIR LA FIGURE 2)

1. Monter la pompe aussi près que possible du puits.
2. Brancher le clapet de pied, la crépine et le tuyau du puits (voir la Figure 2). S'assurer que le clapet de pied fonctionne librement.
3. Abaisser le tuyau dans le puits jusqu'à ce que la crépine soit à cinq pieds du fond du puits. Pour que la pompe n'aspire pas d'air, la crépine doit être au moins à 10 pieds sous le niveau de l'eau du puits pendant que la pompe fonctionne. Poser un joint sanitaire de puits.
4. Poser le té d'amorçage, le bouchon d'amorçage et le tuyau d'aspiration sur la pompe (voir la Figure 2). Brancher le tuyau provenant du puits sur l'orifice d'aspiration de la pompe en utilisant le moins possible de raccords - en particulier des coudes - étant donné que les raccords augmentent le frottement de l'eau dans les tuyaux (il faut toutefois ajouter un clapet de pied - voir la Figure 2). Le diamètre du tuyau d'aspiration doit être au moins aussi grand que le diamètre de l'orifice d'aspiration de la pompe. Utiliser du ruban téflon ou de la pâte pour raccords filetés à base de téflon sur les raccords filetés. Supporter le tuyau de façon qu'il ne soit pas cintré afin qu'il n'exerce pas de contraintes sur le corps de la pompe; de plus, il doit être légèrement incliné vers le haut, du puits jusqu'à la pompe (les points hauts risquent de causer des poches et des bouchons d'air dans la pompe). Rendre étanches les raccords du tuyau d'aspiration avec du ruban téflon ou une pâte pour raccords filetés à base de téflon. Les raccords doivent être étanches à l'air et à l'eau. **Si le tuyau d'aspiration aspire de l'air, la pompe ne pompera pas l'eau du puits.**

Le branchement de cette pompe à éjecteur neuve pour puits profonds sur la tuyauterie du puits est maintenant terminé. Se reporter aux pages 13 et 14 pour le branchement de la tuyauterie de refoulement et sur un réservoir.

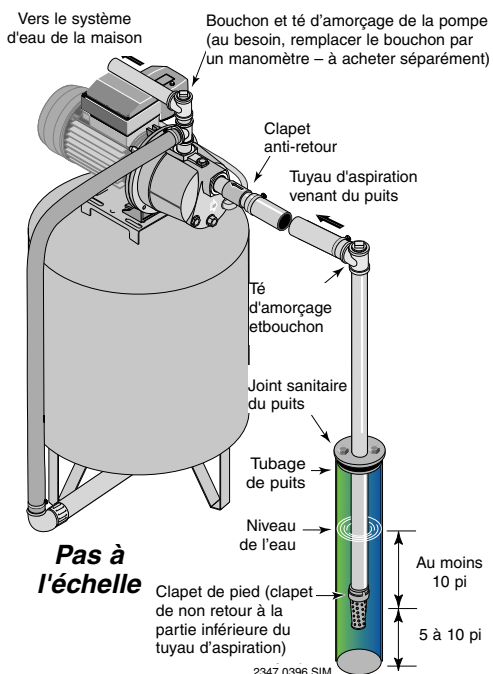


Figure 2 : Installation dans un puits à tubage

INSTALLATION DANS LE CAS D'EAUX EN SURFACE (FIGURE 3)

1. Monter la pompe aussi près que possible du puits en utilisant le moins possible de raccords (en particulier des coudes) sur le tuyau d'aspiration. Le diamètre du tuyau d'aspiration doit être au moins aussi grand que le diamètre de l'orifice d'aspiration de la pompe.
2. Assembler le clapet de pied et le tuyau d'aspiration (voir la Figure 3). S'assurer que le clapet de pied fonctionne librement. Utiliser du ruban téflon ou de la pâte pour raccords filetés à base de téflon sur les raccords filetés. Poser une crépine autour du clapet de pied pour le protéger contre les poissons, les déchets, etc. (voir la Figure 3).
3. Abaisser le tuyau dans le puits jusqu'à ce que la crépine soit à cinq pieds du fond du puits. Pour que la pompe n'aspire pas d'air, la crépine doit être au moins à 10 pieds sous le niveau de l'eau du puits pendant que la pompe fonctionne.
4. Poser le té d'amorçage, le bouchon d'amorçage et le tuyau d'aspiration sur la pompe (voir la Figure 3). Supporter le tuyau de façon qu'il ne soit pas cintré afin qu'il n'exerce pas de contraintes sur le corps de la pompe; de plus, il doit être légèrement incliné vers le haut, du puits jusqu'à la pompe (les points hauts risquent de causer des poches et des bouchons d'air dans la pompe). Rendre étanches les raccords du tuyau d'aspiration avec du ruban téflon ou une pâte pour raccords filetés à base de téflon. Les raccords doivent être étanches à l'air et à l'eau. **Si le tuyau d'aspiration aspire de l'air, la pompe ne pompera pas l'eau du puits.**

Le branchement de cette pompe à éjecteur neuve pour puits profonds sur la tuyauterie du puits est maintenant terminé. Se reporter aux pages 13 et 14 pour le branchement de la tuyauterie de refoulement et sur un réservoir.

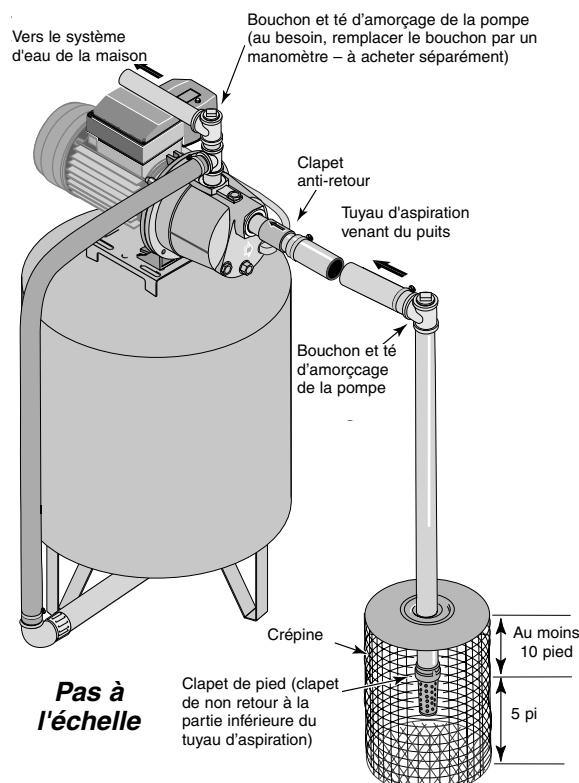
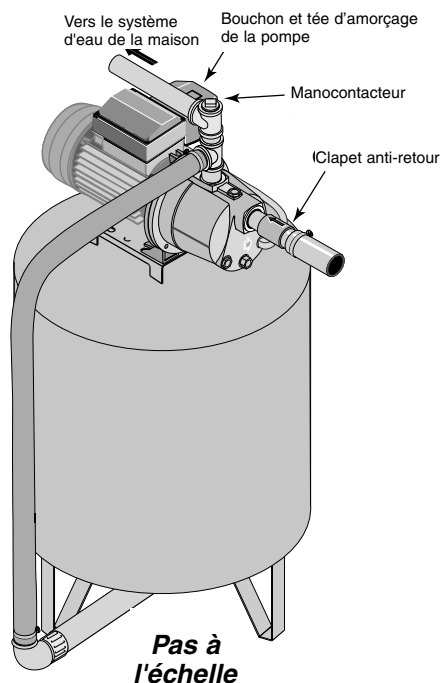


Figure 3 : Installation pour les eaux de surface

BRANCHEMENT SUR UN RÉSERVOIR PRÉCHARGÉ (FIGURES 4 ET 5)

1. Poser deux téés dans l'orifice de refoulement de la pompe (voir la Figure 4). Le diamètre du tuyau doit être au moins aussi grand que le diamètre de l'orifice de refoulement. **NOTA :** Un système pompe sur réservoir préaccordé nécessite un seul té.
2. Poser un tuyau rigide ou un tuyau souple renforcé entre une des branches du premier té et l'orifice du réservoir préchargé.
3. Brancher le té de refoulement sur la tuyauterie de l'habitation.
4. Vérifier la précharge d'air dans le réservoir avec un manomètre pour pneu. Cette pompe neuve est équipée d'un manostat 30/50 lb/po²; la pression de précharge du réservoir devra donc être réglée à 28 lb/po². La précharge se mesure lorsqu'il n'y a pas de pression d'eau dans le réservoir. La précharge doit être de 2 lb/po² inférieure au réglage de la pression d'enclenchement du manostat de la pompe.

Félicitations! Le branchement de la pompe à éjecteur sur le réservoir est maintenant terminé.



2349 0396 SIM

Figure 4 – Branchements sur un réservoir préchargé

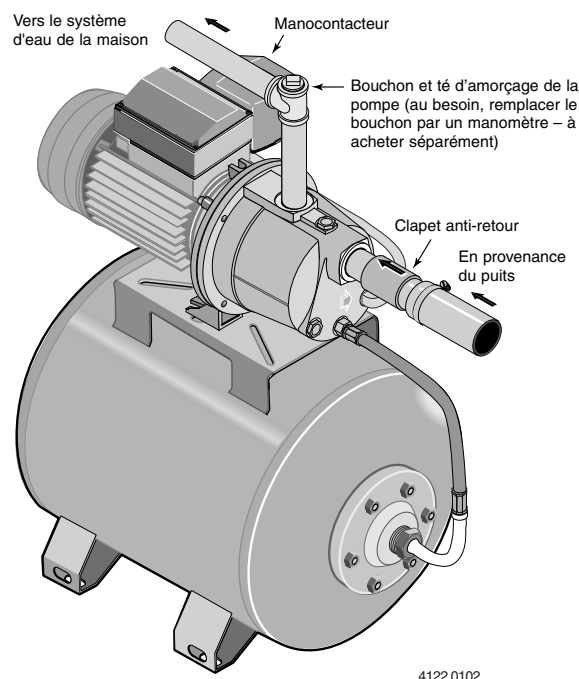


Figure 5 – Raccordements de la pompe sur le réservoir

Pour rendre les raccords des tuyaux étanches

N'utiliser que du ruban d'étanchéité en téflon pour brancher les raccords filetés sur la pompe. **Ne pas utiliser de pâte d'étanchéité sur le plastique**, car elle peut réagir avec le plastique. S'assurer que tous les raccords des tuyaux d'aspiration sont étanches à l'air et à l'eau. **Si le tuyau d'aspiration aspire de l'air, la pompe ne pourra pas aspirer l'eau du puits.**

BRANCHEMENT SUR UN RÉSERVOIR STANDARD (FIGURE 6)

1. Poser un té dans l'orifice de refoulement de la pompe (voir la Figure 6).
2. Poser un tuyau entre l'orifice de refoulement de la pompe et l'orifice d'admission du réservoir. Le diamètre du tuyau doit être au moins aussi grand que le diamètre de l'orifice de refoulement de la pompe.
3. Poser un té et des bagues de réduction sur le tuyau d'aspiration, comme il est illustré à la Figure 6.
4. Utiliser un raccord cannelé dans la bague la plus petite (1/8 de po NPT).
5. Brancher le tube du régulateur de volume d'air entre le raccord cannelé du té du tuyau d'aspiration et l'orifice du régulateur de volume d'air qui se trouve sur le réservoir. Pour de plus amples détails, se reporter aux instructions livrées avec le réservoir et le régulateur de volume d'air. L'emplacement de l'orifice du régulateur de volume d'air peut varier.

Félicitations! Le branchement de la pompe à éjecteur sur le réservoir est maintenant terminé.

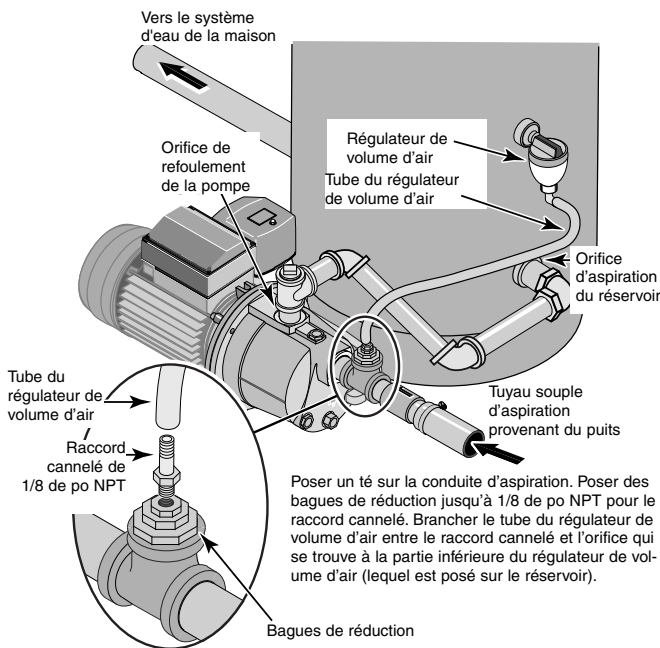


Figure 6 : Branchements sur un réservoir standard

TABLEAU DE CÂBLAGE – DIAMÈTRE DES FILS ET INTENSITÉ DES FUSIBLES RECOMMANDÉS

Modèle	ch	Volts	Charges en ampères maximum	Intensité (en ampères)* du disjoncteur de dérivation	Distance en pieds (m) entre le moteur et le courant d'alimentation Calibres AWG des fils (mm ²)			
					De 0 à 100 (de 0 à 30)	De 101 à 200 (de 31 à 61)	De 201 à 300 (de 62 à 91)	De 301 à 400 (de 92 à 122)
FP4105	1/2	115	7,2	15	14 (2)	12 (3)	10 (5,5)	8 (8,4)
FP410515H	1/2	115	7,2	15	14 (2)	12 (3)	10 (5,5)	8 (8,4)
FP4107	3/4	115	8,6	15	14 (2)	10 (5,5)	8 (8,4)	6 (14)

*Si on utilise des fusibles, il est recommandé d'utiliser des fusibles à deux éléments ou des fusibles à fusion temporisée Fusetron pour protéger les circuits des moteurs.

ÉLECTRICITÉ

⚠ AVERTISSEMENT Tension dangereuse. Risque de secousses électriques, de brûlures, voire de mort. Brancher le fil de mise à la terre avant de brancher les fils d'alimentation en courant. Utiliser un fil dont le diamètre (y compris le fil de mise à la terre) est spécifié dans le tableau de câblage. Dans la mesure du possible, brancher la pompe sur un circuit séparé, sur lequel aucun autre appareil électroménager ne sera branché.

⚠ AVERTISSEMENT Risque d'explosion. Ne pas mettre à la terre sur une conduite de gaz.

Câblage

⚠ AVERTISSEMENT Risque d'incendie. Une mauvaise tension peut causer un incendie ou de graves dommages au moteur, ce qui annulera la garantie. La tension d'alimentation doit correspondre à ± 10 % de la tension indiquée sur la plaque signalétique du moteur. Ne pas modifier le câblage du moteur. Ne brancher le moteur que sur le courant de 115 volts seulement. Installer, mettre à la terre, câbler, et entretenir la pompe conformément au National Electrical Code (NEC) ou au Code canadien de l'électricité (CCE), selon le cas, et à tous les codes et arrêtés de la municipalité en vigueur. Pour tout renseignement concernant les codes, s'adresser à l'inspecteur des bâtiments de la localité.

Branchement :

Le pressostat ressemblera à un de ceux illustrés à la Figure 7. En fonction du type de pressostat, le brancher sur le courant d'alimentation comme il est illustré.

1. Brancher tout d'abord le fil de mise à la terre, comme il est illustré à la Figure 7. Ce fil de mise à la terre doit être un fil de cuivre massif dont le diamètre sera au moins aussi gros que le diamètre des fils d'alimentation en courant.
2. Afin de protéger le moteur, il doit y avoir, entre le pressostat et le moteur, une connexion solide sur du métal. Si le pressostat n'est pas raccordé au moteur, brancher la vis verte de mise à la terre du pressostat sur la vis verte de mise à la terre qui se trouve sous le couvercle d'extrémité du moteur. Utiliser un fil de cuivre massif dont le diamètre sera au moins aussi gros que le diamètre des fils d'alimentation en courant.
3. Brancher le fil de mise à la terre sur un fil de mise à la terre du panneau d'alimentation en courant, un tuyau métallique enterré, un tubage de puits métallique ayant au moins 3 mètres (10 pieds) de long ou sur une électrode de mise à la terre que fournira la compagnie d'électricité.

4. Brancher les fils d'alimentation en courant sur le pressostat, comme il est illustré à la Figure 7.

Le câblage de la pompe est maintenant terminé.

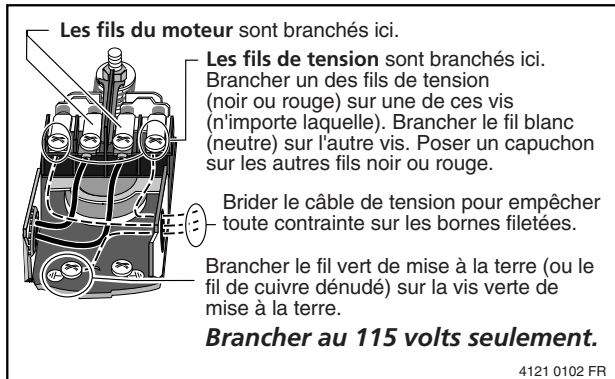


Figure 7 – Branchements des fils sur le courant d'alimentation en 115 volts

AMORÇAGE

ATTENTION Ne jamais faire fonctionner la pompe à sec.

Faire fonctionner la pompe sans eau risque de causer une surchauffe de la pompe, d'endommager les joints et, possiblement, causer des brûlures aux personnes qui manipuleront la pompe. Faire le plein d'eau de la pompe avant de la démarrer.

AVERTISSEMENT Ne jamais faire fonctionner la pompe contre un refoulement fermé, sinon l'eau risque de bouillir à l'intérieur de la pompe, des pressions dangereuses peuvent s'accumuler à l'intérieur de la pompe, une explosion risque de s'ensuivre et les personnes qui manipulent la pompe pourront être ébouillantées.

1. Déposer le bouchon d'amorçage de la pompe et faire le plein de la pompe et de tous les tuyaux branchés entre la pompe et le puits et s'assurer que tous les tuyaux du puits sont pleins. Si un té d'amorçage a déjà été posé sur le tuyau d'aspiration, le déposer du té et faire le plein de la tuyauterie d'aspiration.

2. Reposer tous les bouchons de remplissage (avec du ruban en téflon).
3. **Établir le courant!** Démarrer la pompe. Si la pompe ne débit pas d'eau dans les 2 minutes, l'arrêter, puis déposer les bouchons de remplissage. Refaire le plein de la pompe et de la tuyauterie. Cette opération devra peut-être être répétée plusieurs fois de façon à chasser tout l'air emprisonné dans la tuyauterie. Il faudra jusqu'à 15 minutes pour qu'une pompe aspirant de l'eau à 25 pieds s'amorce.
4. Après que la pression se sera accumulée dans le système et que la pompe se sera arrêtée, vérifier le fonctionnement du manostat en ouvrant un ou deux robinets du système; laisser couler suffisamment d'eau pour dissiper la pression jusqu'à ce que la pompe redémarré. La pompe doit redémarrer lorsque la pression chute à 30 lb/po² et s'arrêter lorsque la pression atteint 50 lb/po². Faire fonctionner la pompe pendant un ou deux cycles complets pour confirmer son bon fonctionnement. Ceci permettra également de nettoyer le système de toute la saleté et de tout le tartre qui se seront détachés pendant l'installation.

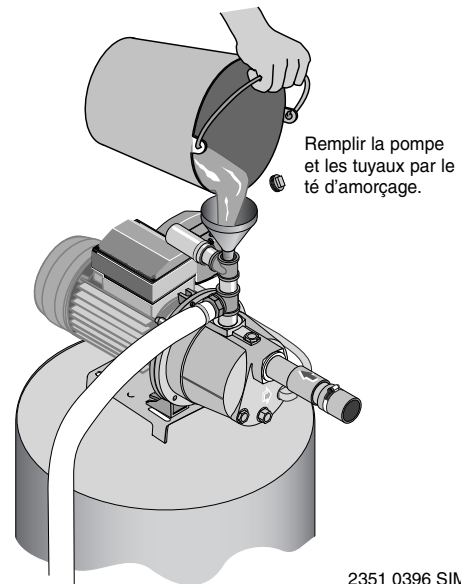
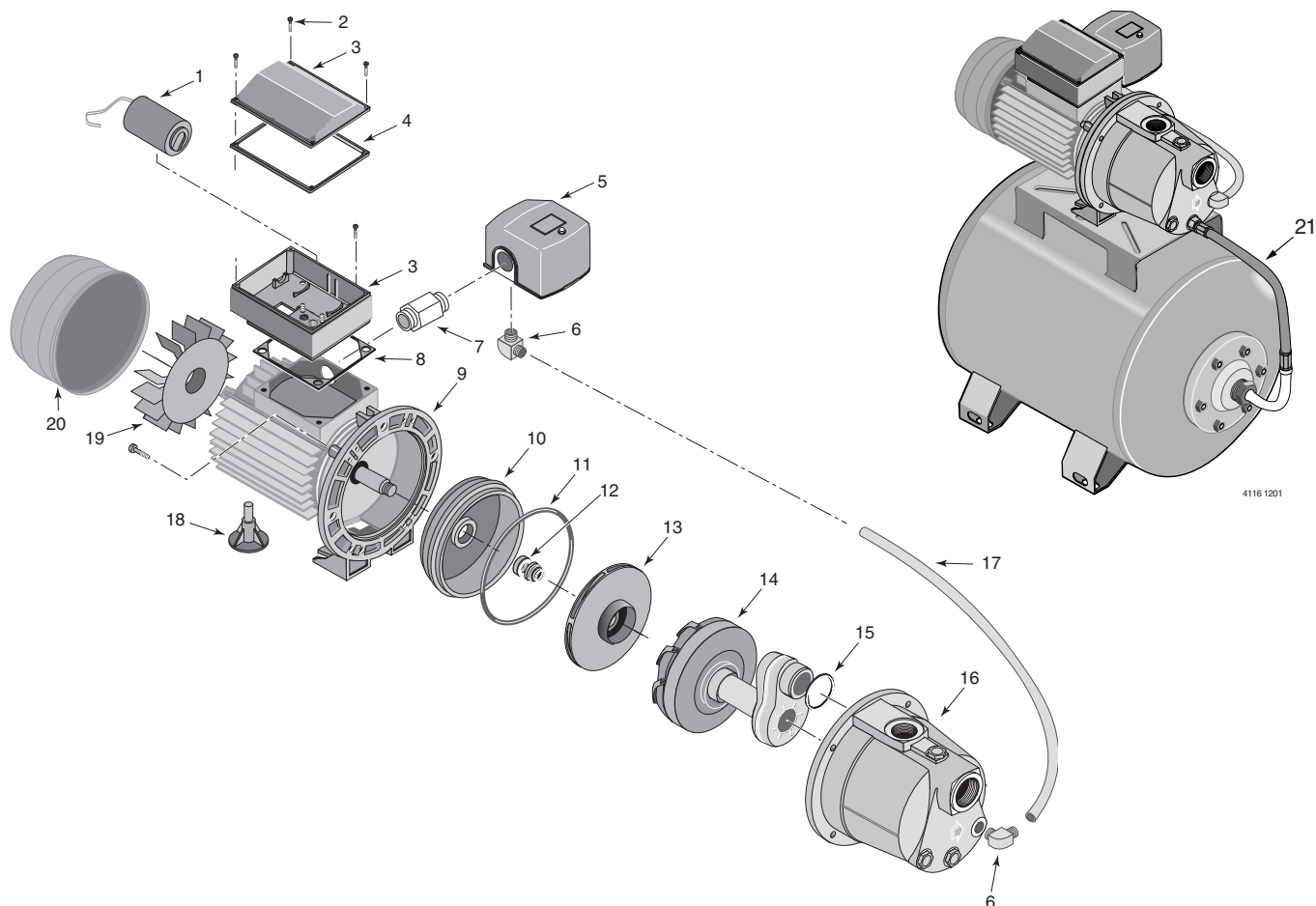


Figure 8 : Amorçage de la pompe

Félicitations pour une installation réussie.

Si l'installation n'est pas réussie, se reporter à la Section Diagnostic des pannes (à la page 16) ou appeler notre personnel technique du service à la clientèle 1-800-365-6832.

SYMPTÔMES	CAUSES PROBABLES	REMÈDES
Le moteur ne tourne pas	Le sectionneur est ouvert. Le fusible est sauté ou le disjoncteur est déclenché. Les fils côté moteur sont desserrés, débranchés ou mal branchés. Les contacts du manocontacteur sont sales.	S'assurer que le sectionneur est enclenché. Remplacer le fusible ou réenclencher le disjoncteur. UPER L'ARRIVÉE DE COURANT; vérifier tout le câblage et le resserrer. COUPER L'ARRIVÉE DE COURANT et nettoyer les contacts avec un morceau de feuille émeri ou une lame à ongles.
Le moteur chauffe et le dispositif de protection contre les surcharges se déclenche.	La tension est trop faible. La pompe se met en marche trop fréquemment.	S'adresser à la compagnie d'électricité. Poser un câblage plus gros si le diamètre des fils est trop petit. Voir la section ci-dessous en cas de démarrages trop fréquents.
Le moteur fonctionne mais l'eau n'est pas pompée* * (Nota : Arrêter la pompe; puis vérifier l'amorçage avant de rechercher toute autre cause. Dévisser le bouchon d'amorçage et voir si le trou d'amorçage contient de l'eau.)	Dans une installation nouvelle, la pompe ne s'est pas amorcée à cause : 1. d'un mauvais amorçage; 2. de prises d'air; 3. de fuites du clapet anti-retour ou du clapet de pied. La pompe s'est désamorcée : 1. à cause de prises d'air; 2. parce que le niveau d'eau est plus bas que la prise d'eau du tuyau d'aspiration. Le clapet de pied ou la crépine sont bouchés. L'éjecteur ou l'impulseur sont bouchés. S'assurer que le clapet anti-retour ou que le clapet de pied ne sont pas grippés en position fermée. Les tuyauteries sont gelées. Le clapet de pied et/ou la trémie sont enfouis dans le sable ou la boue. Le niveau de l'eau est trop bas pour que le puits peu profond débite de l'eau.	Dans le cas d'une installation neuve : 1. Réamorcer la pompe conformément aux instructions. 2. Vérifier tous les raccords de la conduite d'aspiration, le contrôleur d'air et l'éjecteur. 3. Remplacer le clapet de pied ou le clapet anti-retour. Dans le cas d'une installation déjà en utilisation : 1. Vérifier tous les raccords de la conduite d'aspiration et le joint du puits. 2. Abaisser la conduite d'aspiration dans l'eau et réamorcer la pompe. Si, dans le puits, l'abaissement du niveau d'eau dépasse la hauteur géométrique d'aspiration, il faudra utiliser une pompe pour puits profond. Nettoyer le clapet de pied ou la crépine (se reporter à la page des pièces de rechange). Nettoyer l'éjecteur ou l'impulseur. Remplacer le clapet anti-retour ou le clapet de pied. Dégeler les tuyauteries. Enterrer les tuyauteries sous la limite de gel. Chauffer la fosse ou le bâtiment où se trouve la pompe. Relever le clapet de pied et/ou la trémie plus haut que la source d'eau. Nettoyer le clapet de pied et la trémie. Un éjecteur pour puits peu profond est peut-être requis (plus de 25 mètres jusqu'à l'eau) pour obtenir un débit d'eau.
La pompe ne pompe pas l'eau à pleine capacité.	Le niveau de l'eau du puits est plus bas que celui estimé. La tuyauterie en acier (le cas échéant) est corrodée ou bouchée par la chaux, ce qui cause un frottement excessif. Le diamètre de la tuyauterie est trop petit. Pointe filtrante bouchée.	Un éjecteur pour puits peu profond est peut-être requis (plus de 7,6 mètres (25 pieds) jusqu'à l'eau) pour obtenir un débit d'eau. Dans la mesure du possible, remplacer le tuyau par un tuyau en plastique, sinon poser un tuyau en acier neuf. Utiliser une tuyauterie de plus grand diamètre. Laver à contre-courant la pointe filtrante ou la remplacer par une neuve.
La pompe pompe l'eau mais ne s'arrête pas ou bien elle fonctionne trop fréquemment.	Le manocontacteur est déréglé ou bien ses contacts sont soudés ensemble. Les robinets sont restés ouverts. Le venturi, la buse ou l'impulseur sont bouchés. Le niveau d'eau du puits profond est inférieur au niveau estimé. Le réservoir sous pression standard est saturé d'eau et n'a plus de coussin d'air. Fuite des tuyaux. Fuite du clapet de pied. La charge d'air du réservoir préchargé est trop basse.	COUPER L'ARRIVÉE DE COURANT; régler le manocontacteur ou le remplacer. Les fermer. Nettoyer le venturi, la buse ou l'impulseur (se reporter à la page des pièces de rechange). Remplacer la buse et le venturi par la bonne combinaison en fonction du puits. Vider le réservoir jusqu'à l'orifice du contrôleur d'air. S'assurer que le contrôleur d'air ne montre pas de défauts. S'assurer qu'il n'y a pas de prises d'air à aucun raccord. Vérifier les raccords. Remplacer le clapet de pied. COUPER L'ARRIVÉE DE COURANT et ouvrir les robinets jusqu'à ce que toute la pression soit dissipée. À l'aide d'un manomètre de pneu, vérifier la pression d'air dans le réservoir par la tige de la valve qui se trouve sur le réservoir. Au besoin, régler la pression d'air du réservoir à 28 lb/po ² (2 lb/po ² plus bas que le réglage de mise en marche du pressostat). S'assurer que la valve ne fuit pas (utiliser une solution savonneuse pour cela) et, au besoin, remplacer l'obus de la valve.
L'air jaillit des robinets.	La pompe s'amorce. Fuite du côté aspiration de la pompe. Le puits est gazeux. Surpompage intermittent du puits. (L'eau est pompée plus bas que le clapet de pied.)	Lorsque la pompe s'amorcera, tout l'air sera éjecté. Le tuyau d'aspiration aspire de l'air. Vérifier tous les raccords à la recherche de fuite avec de l'eau savonneuse. S'adresser à l'usine concernant l'installation d'un manchon dans le puits. Dans la mesure du possible, abaisser le clapet de pied, sinon limiter le refoulement de la pompe.



Pièces de rechange

Réf. N°	Désignation de Pièces	Qté	FP4105 FP410515H	FP4107
1	Condensateur	1	171P5620	171P5430
2	Vis de 3,5 x 12,7	11	121P2060	121P2060
3	Boîte de câblage et couvercle	1	102P2870	102P2870
4	Joint du couvercle de la boîte de câblage	1	111P1350	111P1350
5	Pressostat	1	U217-1202	U217-1202
6	Raccord cannelé à 90 °	2	U111-212T	U111-212T
7	Raccord de 1/2 po NSPM	1	J43-13C	J43-13C
•	Bague de verrouillage de raccord	1	U36-112ZP	U36-112ZP
8	Joint de la base de la boîte de câblage	1	111P1340	111P1340
9	Plaque d'étanchéité et moteur	1	†	†
10	Garniture de plaque d'étanchéité	1	101P1290	101P1290
11	Joint torique	1	111P0700	111P0700
12	Joint de l'arbre, complet	1	ZBR00010	ZBR00010
13	Impulseur	1	731S5700	731S2220
14	Diffuseur/buse/venturi	1	101P3440	101P3440
15	Joint torique	1	111P0480	111P0480
16	Volute	1	731P1000	731P1000
17	Tube du pressostat	1	U37-669P	U37-669P
18	Pied de moteur	1	101P1400	101P1380
19	Ventilateur	1	102P2010	102P0570
20	Couvercle d'extrémité du moteur	1	201P0150	201P0160
21	Tuyau flexible et raccord (Réservoir sur pompe, FP4105H seulement)	1	ZA004870	ZA004870

† Pas disponible séparément, remplacer la pompe.

LEA Y SIGA LAS INSTRUCCIONES DE SEGURIDAD!

⚠ Este es el símbolo de alerta de seguridad. Cuando usted vea este símbolo en su bomba o en este manual, busque alguna de las siguientes palabras de advertencia y esté alerta a la posibilidad de una herida personal:


⚠ PELIGRO advierte acerca de los peligros que **ocasionarán** lesiones personales serias, la muerte o un daño severo a la propiedad si se ignoran dichos peligros.

⚠ ADVERTENCIA advierte acerca de los peligros que **pueden** ocasionar lesiones personales serias, la muerte o un daño severo a la propiedad si se ignoran dichos peligros.

⚠ PRECAUCIÓN advierte acerca de los peligros que **ocasionarán** o **podrán** ocasionar lesiones personales menores o daños a la propiedad si se ignoran dichos peligros.

La etiqueta **AVISO** indica instrucciones especiales que son importantes pero no relacionados a los peligros.

⚠ ADVERTENCIA



Voltaje peligroso. Puede ocasionar conmoción, quemaduras e incluso la muerte.

Conecte la bomba a tierra antes de conectarla a la alimentación eléctrica.
Desconecte la alimentación de energía antes de trabajar en la bomba, el motor o el tanque.

Lea y siga cuidadosamente todas las instrucciones de seguridad en este manual y en la bomba.

Mantenga las etiquetas de seguridad en buenas condiciones.

Reemplace las etiquetas de seguridad faltantes o dañadas.

⚠ Conecte el motor a tierra antes de conectarlo a la alimentación de energía.

⚠ Cumpla con las indicaciones del Código Nacional Eléctrico, el de Canadá y los códigos locales para toda la conexión eléctrica.

SEGURIDAD ELECTRICA

⚠ ADVERTENCIA El voltaje del capacitor puede ser **peligroso**. Para descargar el capacitor del motor, tome un desatornillador con mango aislado **POR EL MANGO** y ponga en corto las terminales del capacitor. No toque la superficie de metal del desatornillador ni las terminales del capacitor. Si tiene alguna duda, consulte a un electricista calificado.

ADHIERA AQUÍ EL RECIBO ORIGINAL PARA VALIDACION DE GARANTÍA

FLOTEC garantiza al comprador consumidor original ("Comprador") de sus productos, que éstos se encuentran libres de defectos de material o mano de obra. Si dentro de los doce (12) meses de la fecha original de la compra cualquiera de los productos demostrara estar defectuoso, el mismo será reparado o reemplazado, a opción de FLOTEC con sujeción a los términos y condiciones expuestos a continuación. Se requiere su recibo original de compra para determinar si se encuentra bajo garantía.

Excepciones a la Garantía por Doce (12) Meses

Producto	Período de garantía
Bomba a taladro, Bomba a émbolo, Cartucho del filtro de agua en línea	90 días
Bombas de sumidero sumergibles INTELLIPUMP de 1/3 HP (Modelo FP0S1775A) Sistema de bomba de sumidero de respaldo (Modelo FP2800DCC)	2 años
Bombas de pozo sumergibles de 4" Bombas de sumidero sumergibles de 1/2 HP Modelos FPSC2200A-10 y FPSC2250A-10	3 años
Tanque precargado del sistema de agua Modelos FPSC3200A-10 y FPSC3250A-10	5 años
Floodmate® 7000 (Modelo FP0S6000A) Ironmate® (Modelo FPSC4550A) Eyector de aguas residuales (Modelo FPSE3601A) Bomba de pedestal para sumidero (Modelo FPPSS5000) Bomba para uso general (Modelo FPSC1725X) Bomba de sumidero sumergible (Modelo FPSC4550A-10)	De por vida

Términos y Condiciones Generales

El comprador debe pagar todos los gastos de mano de obra y transporte necesarios para reemplazar el producto cubierto por esta garantía. Esta garantía no se aplicará a hechos de fuerza mayor, ni se aplicará a los productos que, a juicio exclusivo de FLOTEC, hayan sido objeto de negligencia, abuso, accidente, aplicaciones contraindicadas, manejo indebido, alteraciones; ni debido a instalación, funcionamiento, mantenimiento o almacenaje incorrectos; ni a ninguna otra cosa que no sea su aplicación, uso o servicio normales, incluyendo, pero no limitado a, fallas operacionales causadas por corrosión, oxidación u otros elementos extraños en el sistema, o funcionamiento a presión por encima del máximo recomendado.

Los pedidos de servicio bajo los términos de esta garantía serán efectuados mediante la devolución del producto defectuoso al Vendedor o a FLOTEC, tan pronto como sea posible, después de localizado cualquier supuesto defecto. FLOTEC tomará luego acción correctiva, tan pronto como sea razonablemente posible. Ningún pedido de servicio bajo esta garantía será aceptado si se recibe más de 30 días después del término de la garantía.

Esta garantía establece la obligación única de FLOTEC y el remedio exclusivo del comprador en el caso de productos defectuosos.

FLOTEC NO SERÁ RESPONSABLE POR NINGÚN DAÑO CONSECUENTE, INCIDENTAL O CONTINGENTE DE NINGUNA NATURALEZA.

LAS GARANTÍAS ANTERIORES SON EXCLUSIVAS Y REEMPLAZAN CUALESQUIERA OTRAS GARANTÍAS EXPRESAS. LAS GARANTÍAS IMPLÍCITAS, INCLUYENDO, PERO NO LIMITADAS A, LAS GARANTÍAS IMPLÍCITAS DE COMERCIABILIDAD Y APTITUD PARA UN PROPÓSITO EN PARTICULAR, NO DEBERÁN EXCEDER EL PERÍODO DE DURACIÓN DE LAS GARANTÍAS EXPRESAS APLICABLES AQUÍ PROVISTAS.

Algunos estados no permiten la exclusión o limitación de daños incidentales o consecuentes ni las limitaciones respecto a la duración de garantías implícitas; de modo que las limitaciones o exclusiones precedentes pueden no aplicarse en su caso. Esta garantía le concede derechos legales específicos. Usted puede tener, además, otros derechos que varían de un estado a otro.

FLOTEC • P.O. Box 342 • Delavan, WI U.S.A. 53115

Teléfono: 1-800-365-6832 • Fax: 1-800-526-3757

e-Mail (correo electrónico): info@flotecwater.com • Dirección web: <http://www.flotecwater.com>

SEGURIDAD GENERAL

⚠ PRECAUCIÓN No toque un motor en operación. Los motores modernos están diseñados para operar a temperaturas altas. Para evitar quemaduras al realizar el servicio a una bomba, déjela enfriar por 20 minutos después de apagarla. No permita que la bomba o cualquier componente del sistema se congele. Hacerlo invalidará la garantía.

Utilice esta bomba sólo para agua. Inspeccione la bomba y los componentes del sistema periódicamente.

Utilice gafas de seguridad durante todo el tiempo mientras trabaje en la bomba.

El área de trabajo se debe mantener limpia, ordenada y con iluminación adecuada; guarde las herramientas y el equipo que no utilice en el lugar apropiado.

Mantenga a los visitantes a una distancia segura de las áreas de trabajo.

⚠ ADVERTENCIA El cuerpo de la bomba puede explotar si se utiliza como una bomba propulsora a menos que se instale una válvula de alivio que sea capaz de pasar todo el flujo de la bomba a 75 psi.

	<p>⚠ ADVERTENCIA</p>
	<p>Presión peligrosa! Instale una válvula de alivio de presión en la tubería de descarga. Libere toda la presión en el sistema antes de trabajar en alguno de los componentes.</p>

INSTALACIÓN DE BOMBAS DE CHORRO EN POZOS POCO PROFUNDOS

- La profundidad vertical entre la bomba y el agua que se bombea debe ser de 25 pies o menor.
- Debe de haber un tubo desde el pozo hasta la caja de la bomba.
- Se puede instalar en un pozo horadado, perforado o hincado.

REEMPLAZO DE UNA BOMBA VIEJA

⚠ ADVERTENCIA Voltaje peligroso. Desconecte la energía de la bomba antes de trabajar con la bomba o el motor.

1. Drene y quite la bomba vieja. Revise la tubería vieja por si estuviera oxidada, tuviera cal o moho, etc., y reemplácela si es necesario.
2. Instale la bomba en el sistema. Asegúrese de que todas las uniones de los tubos en la tubería de succión están unidas herméticamente y son impermeables al agua. **Si la tubería de succión puede succionar aire, la bomba no podrá jalar agua del pozo.**
3. Ajuste la altura de montaje de la bomba de modo que las conexiones de plomería no ocasionen un esfuerzo de deformación sobre el cuerpo de la bomba. Dele el soporte adecuado a los tubos de modo que el cuerpo de la bomba no reciba todo el peso de la tubería o los herrajes.

Usted acaba de terminar las conexiones de plomería del pozo de su nueva bomba tipo "jet" para pozo poco profundo. Consulte la Páginas 21 y 22 para realizar las conexiones del tanque y de la tubería de descarga.

INSTALACION DEL PUNTO DEL POZO (PUNTO DE HINCAR) (FIGURA 1)

1. Hínque el pozo utilizando "manguitos de tubería de hincar" y una "caperuza para la hinca". Las "conexiones de perforar" están roscadas a todo lo largo y permiten que los extremos de la tubería empalmen para que la fuerza de perforación del mazo sea soportada por la tubería y no por el enroscado. Las conexiones ordinarias que se encuentran en las tlapalerías no están roscadas a todo lo largo y se pueden colapsar por el impacto. Las "conexiones de hincado" también son más suaves que las conexiones de plomería comunes, y esto facilita la penetración en el suelo.
2. Monte la bomba tan cerca del pozo como sea posible.
3. Utilice el menor número de conexiones posible (especialmente codos) al conectar la tubería desde el punto del pozo al orificio de succión de la bomba. La tubería de succión debe ser por lo menos del mismo tamaño que el orificio de succión en la bomba (incluya una válvula "check" si su equipo no está equipado con una) - Vea la Figura 1. Soporte la tubería para que no haya inclinaciones verticales o hundimientos en ella a fin de que no se ejerza tensión sobre el cuerpo de la bomba y con el propósito de que no se incline ligeramente hacia arriba desde el pozo hacia la bomba (los puntos altos pueden ocasionar que se formen bolsas de aire que pueden bloquear la bomba). Selle las juntas de la tubería de succión con cinta de teflón o con un compuesto a base de teflón especial para las juntas de las tuberías. Las juntas deben de ser a prueba de agua y estar herméticamente cerradas. **Si la tubería de succión pudiera succionar aire, la bomba no podría sacar agua del pozo.** Si un punto de pozo no proporciona suficiente agua, considere la posibilidad de conectar dos o tres puntos de pozo a una tubería de succión.

Usted acaba de realizar la conexión de tubería de succión para su nueva bomba tipo "jet" para pozo poco profundo. Por favor pase a la Páginas 21 y 22 para realizar las conexiones del tanque y de la tubería de descarga.

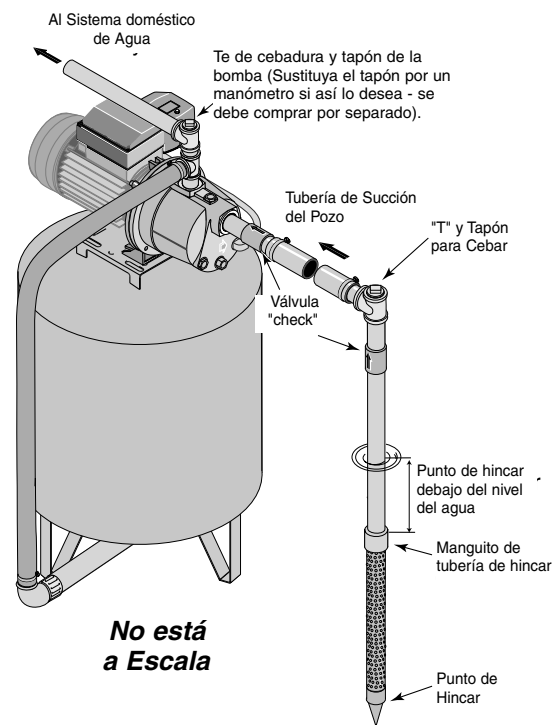


Figura 1 - Instalación del Punto de Hincar

INSTALACION DE POZO RECUBIERTO CON UN RECUBRIMIENTO DE 2" O MAS (FIGURA 2)

1. Monte la bomba tan cerca del pozo como sea posible.
2. Instale la válvula de retención, el filtro y la tubería del pozo (vea la Figura 2). Asegúrese de que la válvula de retención funcione libremente.
3. Baje la tubería hacia el pozo hasta que el filtro se encuentre a cinco pies sobre el fondo del pozo. También debe estar a por lo menos 10 pies debajo del nivel del agua del pozo cuando la bomba esté funcionando a fin de evitar que la bomba succione aire. Instale un sello sanitario para pozo.
4. Instale una "T" para cebar, tapón para cebar y la tubería de succión a la bomba (vea la Figura 2). Conecte la tubería del pozo al orificio de succión de la bomba; utilice el menor número de conexiones posible – especialmente codos – ya que las conexiones incrementan la fricción de la tubería, pero incluya una válvula de aspiración – vea la Figura 2. La tubería de succión debe ser por lo menos del mismo tamaño que el orificio de succión de la bomba. Utilice cinta de teflón o un compuesto a base de teflón especial para juntas de tubería. Soporte la tubería para que no haya inclinaciones verticales o hundimientos en ella a fin de que no ejerza tensión sobre el cuerpo de la bomba y con el propósito de que no se incline ligeramente hacia arriba desde el pozo hacia la bomba (los puntos altos pueden ocasionar que se formen bolsas de aire que pueden bloquear la bomba). Selle las juntas de la tubería de succión con cinta de teflón o con un compuesto a base de teflón especial para juntas de tuberías. Las juntas deben ser estancas al aire e impermeables. **Si la tubería de succión pudiera succionar aire, la bomba no podrá sacar agua del pozo.**

Usted acaba de realizar la conexión de tubería de succión para su nueva bomba tipo "jet" para pozo poco profundo. Por favor pase a la Páginas 21 y 22 para realizar las conexiones del tanque y de la tubería de descarga.

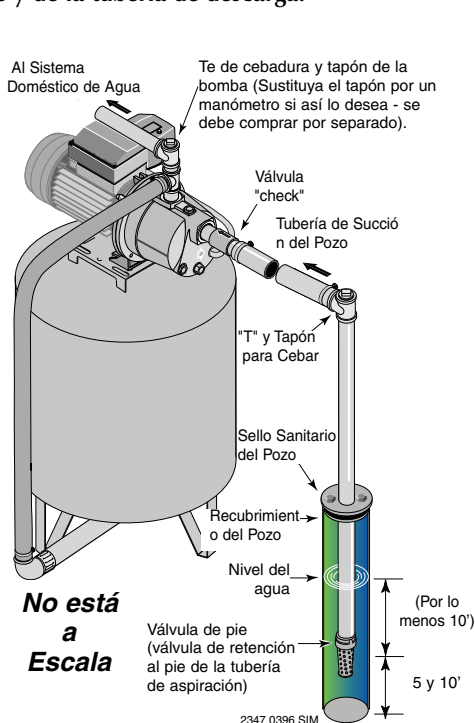


Figure 2 : Instalación para pozo recubierto

INSTALACION PARA AGUA SUPERFICIAL (FIGURA 3)

1. La bomba se debe instalar lo más cerca del agua que sea posible, con el menor número posible de conexiones (especialmente codos) en la tubería de succión. La tubería de succión debe ser por lo menos del mismo tamaño que el orificio de succión de la bomba.
2. Instale una válvula de retención y la tubería de succión (vea la Figura 3). Asegúrese de que la válvula de retención funcione libremente. Utilice cinta de teflón o un compuesto a base de teflón especial para juntas de tuberías den las juntas roscadas de la tubería. Proteja la conexión de la válvula de retención de peces, basura, etc., con la instalación de una malla de alambre a su alrededor (Vea la Figura 3).
3. Baje la tubería hacia el agua hasta que el filtro se encuentre a cinco pies sobre el fondo. También debe estar a por lo menos 10 pies debajo del nivel del agua a fin de evitar que la bomba succione aire.
4. Instale una "T" para cebar, tapón para cebar y la tubería de succión a la bomba (vea la Figura 3). Soporte la tubería para que no haya inclinaciones verticales o hundimientos en ella a fin de que no ejerza tensión sobre el cuerpo de la bomba y con el propósito de que no se incline ligeramente hacia arriba desde el pozo hacia la bomba (los puntos altos pueden ocasionar que se formen bolsas de aire que pueden bloquear la bomba). Selle las juntas de la tubería de succión con cinta de teflón o con un compuesto a base de teflón especial para juntas de tuberías. Las juntas deben ser estancas al aire e impermeables. **Si la tubería de succión pudiera succionar aire, la bomba no podrá sacar agua del pozo.**

Usted acaba de realizar la conexión de tubería de succión para su nueva bomba tipo "jet" para pozo poco profundo. por favor pase a la Páginas 21 y 22 para realizar las conexiones del tanque y de la tubería de descarga.

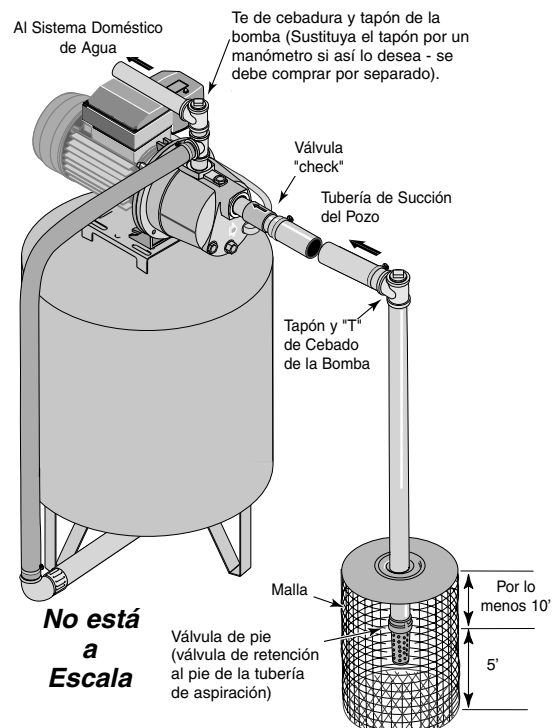
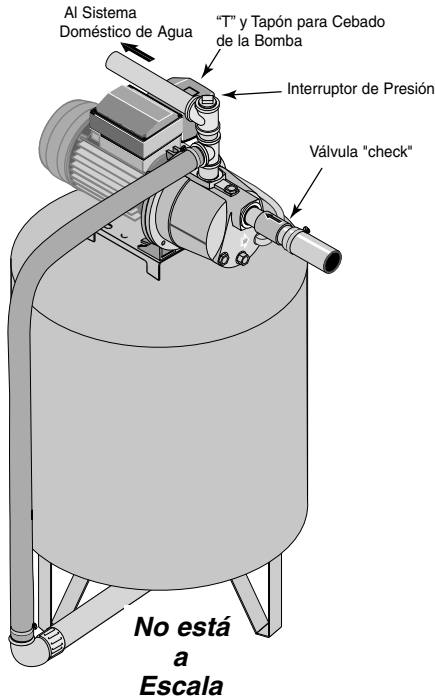


Figura 3: Instalación para agua superficial

CONEXIÓN PARA TANQUE PRE-CARGADO (FIGURAS 4 Y 5)

1. Instale dos "T"s en el puerto de descarga de la bomba (Vea la figura 4). El tamaño de la bomba debe de ser por lo menos tan grande como el puerto de descarga.
NOTA: Un sistema de bomba sobre tanque con la plomería preparada solamente requiere un Te.
2. Instale un tubo o una manguera reforzada desde un brazo de la primera "T" al puerto en el tanque pre-cargado.
3. Conecte el otro Te de descarga a su sistema de plomería.
4. Verifique la pre-carga de aire en el tanque con un medidor ordinario de aire para neumáticos. Su nueva bomba tiene un interruptor de 30/50 PSI, por lo tanto ajuste la presión de pre-carga del tanque a 28 PSI. La pre-carga se mide cuando no haya presión de agua en el tanque. La pre-carga debe ser de 2 PSI menos que el ajuste de cierre del interruptor de presión de la bomba.

¡Felicidades! Usted acaba de realizar la conexión del tanque para su bomba tipo "jet".



2349 0396 SIM

Figura 4: Conexiones del Tanque Pre-cargado

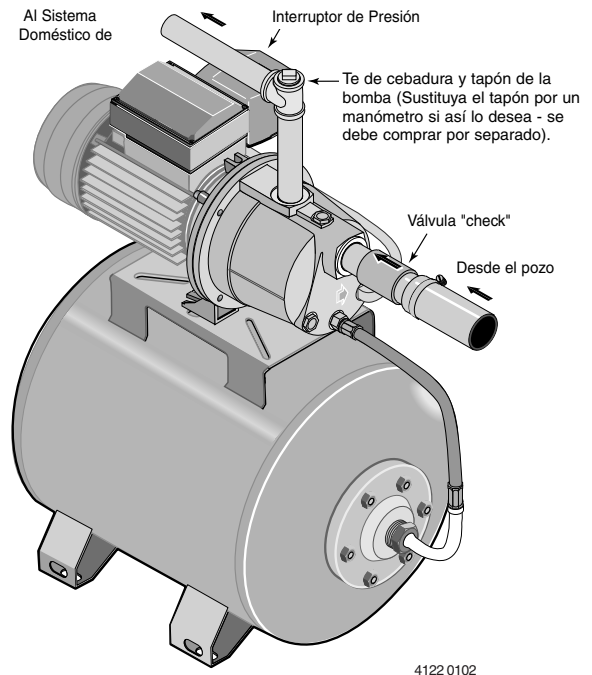


Figura 5 - Conexiones de la bomba sobre tanque.

Cómo sellar las juntas de tubería

Use solamente cinta de teflón para hacer todas las conexiones roscadas a la bomba. **No use compuestos para unir tuberías en plástico** ya que pueden reaccionar con el plástico. Asegúrese de que todas las juntas de tubería en la tubería de aspiración sean estancas al aire e impermeables.

Si la tubería de aspiración aspira aire, la bomba no podrá extraer agua del pozo.

CONEXIÓN PARA TANQUE ESTÁNDAR (Figura 6)

1. Instale una "T" en el puerto de descarga de la bomba (Fig. 6).
2. Ponga una bomba desde el puerto de descarga al puerto de entrada de su tanque. El tamaño del tubo debe ser por lo menos tan grande como el puerto de descarga.
3. Instale un Te con manguitos reductores en la tubería de aspiración según se ilustra en la Figura 6.
4. Instale un accesorio dentado en el manguito más pequeño (1/8" NPT).
5. Haga correr un tubo CVA desde el accesorio dentado en el Te de la tubería de aspiración hasta el orificio en el CVA montado en el tanque. Consulte las instrucciones suministradas con el tanque y el CVA para obtener los detalles. La ubicación del orificio del CVA puede variar.

¡Felicidades! Usted acaba de realizar la conexión del tanque para su bomba tipo "jet".

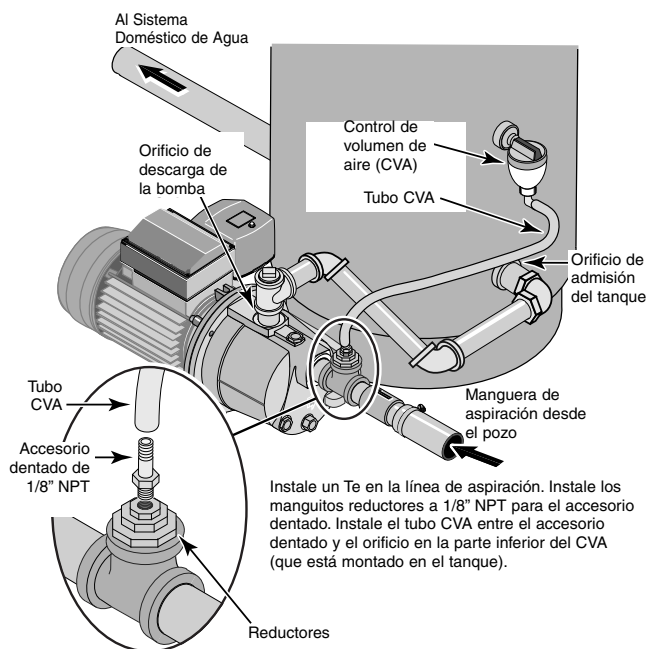


Figura 6: Conexiones para Tanque Estándar

INFORMACIÓN ELÉCTRICA

⚠ ADVERTENCIA Tensión peligrosa. Puede provocar choques eléctricos, quemaduras o muerte. Conecte un cable de puesta a tierra antes de conectar los cables de suministro de corriente. Use el tamaño del cable (incluyendo el cable de puesta a tierra) especificado en la tabla de cableado. Si es posible, conecte la bomba a un circuito derivado separado sin ningún otro artefacto conectado al mismo.

⚠ ADVERTENCIA Peligro de explosión. No conecte a tierra mediante una línea de suministro de gas.

Cableado

⚠ ADVERTENCIA Peligro de incendio. Una tensión incorrecta puede provocar un incendio o averiar el motor considerablemente y anulará la garantía. La tensión de suministro debe estar dentro de $\pm 10\%$ de la tensión indicada en la placa de fábrica del motor. No modifique el cableado del motor. Conecte solamente a un suministro de 115 voltios.

Instale, ponga a tierra, conecte y mantenga su bomba conforme con las normas del Código Eléctrico Nacional (NEC) o del Código Eléctrico Canadiense (CEC), según corresponda, y con todos los códigos y reglas locales que correspondan. Consulte a su inspector local de construcción para obtener la información sobre los códigos.

Procedimiento de conexión:

Su manóstato se parece a uno de los que se ilustran en la figura 7. Conecte el suministro de corriente según se ilustra para su tipo de manóstato.

1. Conecte el cable de puesta a tierra primero según se ilustra en la Figura 7. El cable de puesta a tierra debe ser un cable de cobre macizo por lo menos tan grande como los cables de suministro de corriente.
2. Debe haber una conexión metálica sólida entre el manóstato y el motor para protección a tierra del motor. Si el manóstato no está conectado al motor, conecte el tornillo verde de puesta a tierra en el manóstato, al tornillo verde de puesta a tierra debajo de la cubierta del motor. Use un cable de cobre macizo por lo menos tan grande como los cables de suministro de corriente.
3. Conecte el cable de puesta a tierra a un conductor conectado a tierra en el tablero de servicio, a un tubo metálico de agua subterránea, a una envoltura metálica de pozo por lo menos de diez pies (3 m) de largo, o a un electrodo puesto a tierra suministrado por la empresa de energía o de corriente eléctrica.

TABLA DE CABLEADO - TAMAÑOS DE CABLES Y FUSIBLES QUE SE RECOMIENDAN

Modelos	HP	Voltios	Carga máxima - Amperios	Amperaje nominal del disyuntor del ramal*	Distancia en pies (m) del motor al suministro - Tamaños de los cables AWG (mm ²)			
					0-100 (0-30)	101-200 (31-61)	201-300 (62-91)	301-400 (92-122)
FP4105	1/2	115	7,2	15	14 (2)	12 (3)	10 (5,5)	8 (8,4)
FP410515H	1/2	115	7,2	15	14 (2)	12 (3)	10 (5,5)	8 (8,4)
FP4107	3/4	115	8,6	15	14 (2)	10 (5,5)	8 (8,4)	6 (14)

* Cuando use fusibles, se recomienda usar fusibles temporizados Fusetron o de elemento doble para todos los circuitos del motor.

4. Conecte los cables de suministro de corriente al manóstató según se ilustra en la Figura 7.

Usted acaba de terminar el cableado de su bomba.

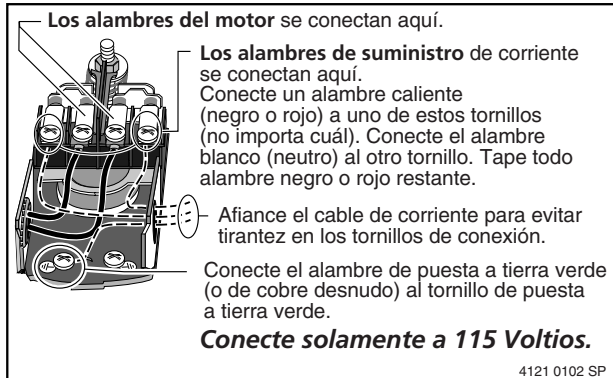


Figura 7. Conexiones de los cables para el suministro de corriente de 115 voltios.

CEBADO

PRECAUCIÓN Nunca ponga a funcionar la bomba en seco. Poner a funcionar la bomba sin agua puede ocasionarle sobre calentamiento, dañar el sello y tal vez causar quemaduras a las personas que la estén manejando. Llene la bomba con agua antes de arrancarla.

ADVERTENCIA Nunca operar la bomba hacia una descarga cerrada. De lo contrario, el agua del interior puede hervir y ocasionar presión peligrosa en la unidad, riesgo de explosión y las personas que operan la bomba pueden sufrir quemaduras.

1. Quitar el tapón de cebado de la bomba y llenar la bomba, llenar toda la tubería que va de la bomba al pozo y asegurarse que toda la tubería del pozo esté llena. En caso de haber instalado una "T" de cebado en la tubería de succión, quitar el tapón de la "T" y llenar la tubería de succión.

2. Vuelva a colocar todos los tapones de llenado (uso cinta de teflón).
3. **¡Enciéndala!** Encienda la bomba. Si no tiene agua en 2 minutos, detenga la bomba y saque los tapones de relleno. Vuelva a llenar la bomba y la tubería. Es probable que tenga que repetir este paso varias veces con el fin de sacar todo el aire atrapado dentro de la tubería. Es probable que necesite hasta 15 minutos para cebar la bomba con una elevación de agua de 25'.
4. Después de que la bomba ha producido presión en el sistema y esté apagada, verifique la operación del interruptor de presión abriendo una llave o dos y dejando correr suficiente agua para descargar la presión hasta que la bomba arranque. La bomba debe arrancar cuando la presión caiga a 30 PSI y se debe detener cuando la presión alcance los 50 PSI. Haga funcionar la bomba durante uno o dos ciclos completos para verificar su correcta operación. Esto también le ayudará a limpiar el sistema de polvo y basura producida durante la instalación.

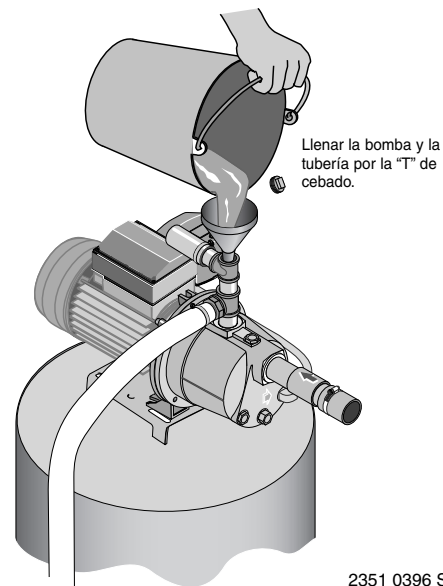
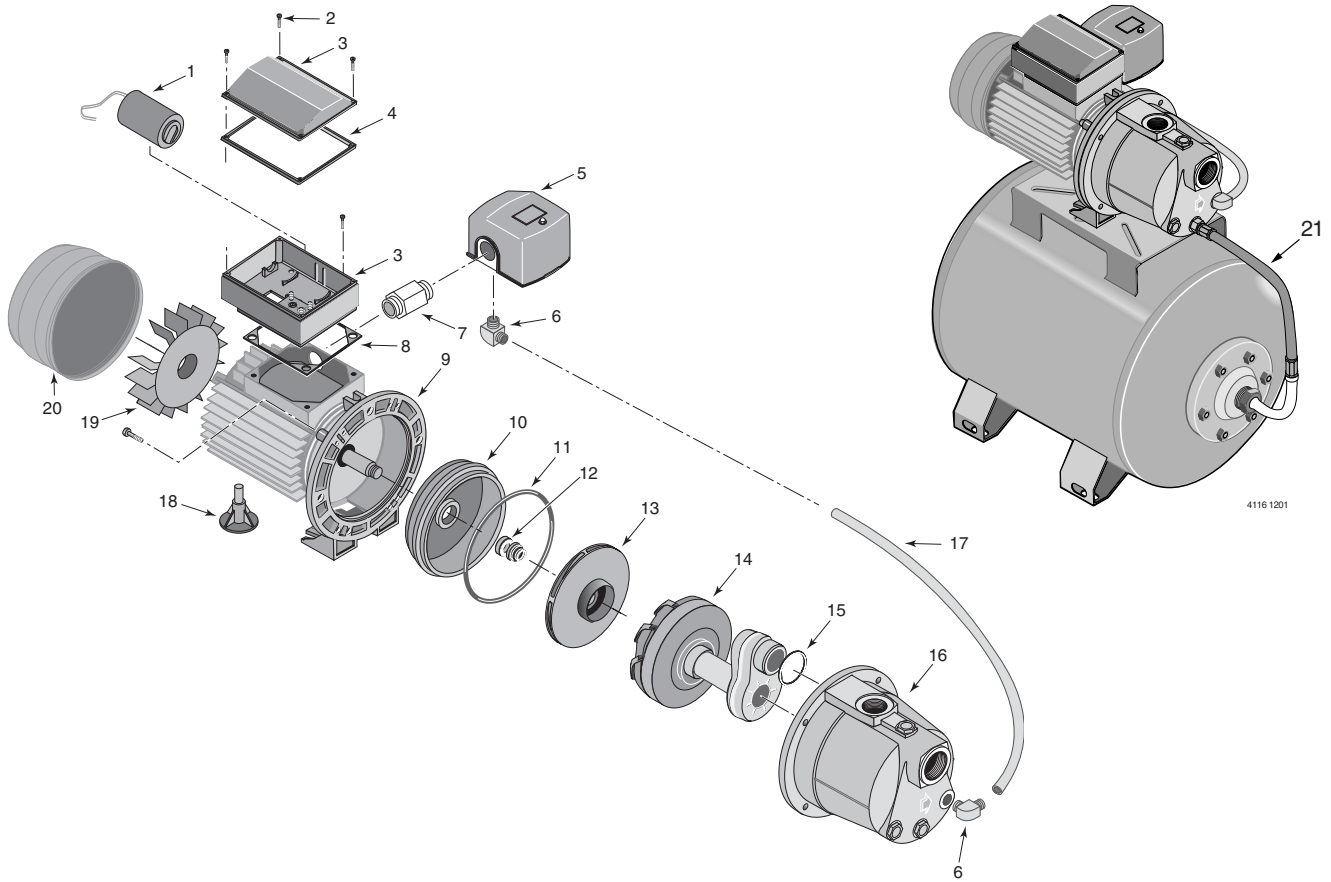


Figura 8: Llenado de la Bomba

¡Felicidades por haber obtenido una instalación exitosa!

Si usted no tuvo éxito, por favor pase a la sección de Solución de Problemas (página 24) o llame a nuestro personal técnico de servicio al cliente 1-800-365-6832.

PROBLEMA	CAUSA(S) PROBABLE(S)	ACCIÓN CORRECTIVA
El motor no enciende	<p>El interruptor de desconexión está apagado</p> <p>El fusible está quemado o el circuito interruptor se abrió</p> <p>Los cables en el motor están sueltos, desconectados o conectados incorrectamente.</p> <p>Los contactos del interruptor de presión están sucios.</p>	<p>Asegúrese de que el interruptor esté encendido</p> <p>Reemplace el fusible o vuelva a cerrar el circuito interruptor</p> <p>DESCONECTE LA ENERGÍA; revise y ajuste toda la conexión eléctrica.</p> <p>DESCONECTE LA ENERGÍA y lime los contactos con lima de papel o lima para uñas.</p>
El motor se calienta y la sobre carga lo enciende	<p>El voltaje es muy bajo</p> <p>Los ciclos de la bomba son muy frecuentes</p>	<p>Verifique con la compañía de energía eléctrica. Instale un cableado de mayor calibre si éste es muy pequeño (Vea la Tabla de Cableado/Electricidad)</p> <p>Vea la sección a continuación sobre ciclos frecuentes.</p>
<p>El motor funciona pero no sale agua*</p> <p>* (Nota: Pare la bomba: después verifique el cebado antes de buscar otras causas. Desatornille el tapón de cebado y vea si hay agua en el orificio de cebado)</p>	<p>La bomba en una instalación nueva no recogió el cebado debido a:</p> <ol style="list-style-type: none"> 1. Cebado inadecuado 2. Fugas de aire 3. Fugas en la válvula de retención o en la válvula "check" <p>La bomba ha perdido cebado debido a:</p> <ol style="list-style-type: none"> 1. Fugas de aire 2. Nivel de agua por debajo de la entrada de la tubería de succión <p>La válvula de retención o el filtro están tapados</p> <p>El eyector o el impulsor están tapados</p> <p>La válvula "check" o la válvula de retención están tapadas o cerradas</p> <p>Las tuberías están congeladas</p> <p>La válvula de retención y/o el filtro están enterradas en arena o lodo</p> <p>El nivel de agua es muy bajo para que la instalación para pozo poco profundo entregue agua.</p>	<p>En una instalación nueva:</p> <ol style="list-style-type: none"> 1. Vuelva a cebarla de según las instrucciones 2. Revise todas las conexiones en la línea de succión, CVA y el eyector 3. Reemplace la válvula de retención o la válvula "check" <p>En una instalación que ya esté en uso:</p> <ol style="list-style-type: none"> 1. Inspeccione todas las conexiones en la línea de aspiración y en el sello del pozo. 2. Baje la línea de succión hacia el agua y vuelva a cebar. Si la disminución del nivel de agua excede el levantamiento de succión, es necesario instalar una bomba para pozo profundo <p>Limpie la válvula de retención o el filtro</p> <p>Limpie el eyector o el impulsor (consulte la Página de Refacciones para la Reparación).</p> <p>Reemplace la válvula "check" o la válvula de retención.</p> <p>Descongele las tuberías. Entierre las tuberías debajo de la línea de congelación.</p> <p>Caliente la casa de bombas o el foso</p> <p>Eleve la válvula de retención y/o el filtro sobre el fondo de la fuente de agua.</p> <p>Limpie la válvula de retención y el filtro.</p> <p>Se puede requerir un paquete de propulsor a chorro para pozo profundo (más de 25 pies de profundidad) para suministrar agua.</p>
La bomba no produce agua a toda su capacidad	<p>El nivel del agua en el pozo profundo es menor que el que se calculó</p> <p>La tubería de acero (si se utilizó) está corroída u oxidada, ocasionando una fricción excesiva</p> <p>El tamaño de la tubería es muy pequeño</p> <p>Conexión para pozo empacada.</p>	<p>Si su pozo tiene una profundidad mayor a 25' (7.6m), necesitará un paquete de propulsor a chorro para pozo profundo.</p> <p>Reemplace con tubería de plástico donde sea posible, o de lo contrario con tubería nueva de acero</p> <p>Utilice tubería más grande</p> <p>Contraflujo de la conexión para pozo o para la nueva conexión del fregadero.</p>
La bomba entrega agua pero no se apaga o los ciclos de bombeo son muy frecuentes	<p>El interruptor de presión está desajustado o los contactos están soldados juntos</p> <p>Se dejaron las llaves abiertas</p> <p>El venturi, la boquilla o el impulsor están tapados</p> <p>El nivel de agua en el pozo profundo es menor de que se calculó</p> <p>El tanque de presión estándar está tapado por agua y no tiene amortiguador de aire</p> <p>Las tuberías presentan fugas</p> <p>Las válvulas de retención presentan fugas</p> <p>La carga de aire es muy baja en el tanque pre-cargado</p>	<p>DESCONECTE LA ENERGÍA; ajuste o reemplace el interruptor de presión</p> <p>Cierre las llaves</p> <p>Limpie el venturi, la boquilla o el impulsor (consulte la Página de Refacciones para la Reparación).</p> <p>Reemplace la boquilla y el venturi con la combinación correcta para el pozo</p> <p>Drene el tanque al orificio de control de volumen de aire. Revise que el CVA no presente defectos. Verifique que no haya fugas de aire en ninguna conexión.</p> <p>Revise las conexiones</p> <p>Reemplace la válvula de retención</p> <p>DESCONECTE LA ENERGÍA y abra las llaves hasta que la presión haya sido liberada. Mida la presión del aire en el tanque con un calibrador de neumáticos en el vástago de la válvula que se encuentra en el tanque. Si es necesario, ajuste la presión del aire en el tanque a 28 libras por pulgada cuadrada ("psi") (2 psi menos que la graduación de disparo del interruptor). Verifique que no haya fugas en la válvula de aire (utilice una solución jabonosa) y reemplace el centro si es necesario.</p>
Sale aire de las llaves	<p>La bomba está jalando el cebado</p> <p>Fuga en el lado de la succión de la bomba</p> <p>El pozo es gaseoso</p> <p>Sobre-bombeo intermitente del pozo, (agua sacada de abajo de la válvula de retención)</p>	<p>Cuando la válvula recoge el cebado, todo el aire será liberado</p> <p>Si la tubería de succión está succionando aire, utilice agua jabonosa para revisar si las conexiones tienen fuga.</p> <p>Consulte a la fábrica sobre la instalación de una camisa en el pozo</p> <p>Baje la válvula de retención si es posible, si no restrinja la descarga de la bomba.</p>



Refacciones para la reparación

Clave N°	Descripción de la Parte	Cant.	FP4105 FP410515H	FP4107
1	Capacitor	1	171P5620	171P5430
2	Tornillo de 3.5 x 12.7	11	121P2060	121P2060
3	Caja de cables y cubierta	1	102P2870	102P2870
4	Empaquetadura de la cubierta de la caja de cables	1	111P1350	111P1350
5	Interruptor de presión	1	U217-1202	U217-1202
6	Espiga de manguera de 90°	2	U111-212T	U111-212T
7	Conector, 1/2" NSPM	1	J43-13C	J43-13C
•	Aro de fijación del conector	1	U36-112ZP	U36-112ZP
8	Empaquetadura de la base de la caja de cables	1	111P1340	111P1340
9	Placa de estanquidad y motor	1	†	†
10	Inserción de la placa de estanquidad	1	101P1290	101P1290
11	Aro tórico	1	111P0700	111P0700
12	Sello del eje, completo	1	ZBR00010	ZBR00010
13	Impulsor	1	731S5700	731S2220
14	Difusor/boquilla/venturi	1	101P3440	101P3440
15	Aro tórico	1	111P0480	111P0480
16	Voluta	1	731P1000	731P1000
17	Tube de conmutador a presión	1	U37-669P	U37-669P
18	Pie del motor	1	101P1400	101P1380
19	Ventilador	1	102P2010	102P0570
20	Cubierta del motor	1	201P0150	201P0160
21	Tubo flexible con accesorio (tanque a la bomba, FP4105H solamente)	1	ZA004870	ZA004870

† No disponible por separado, reemplace la bomba.

